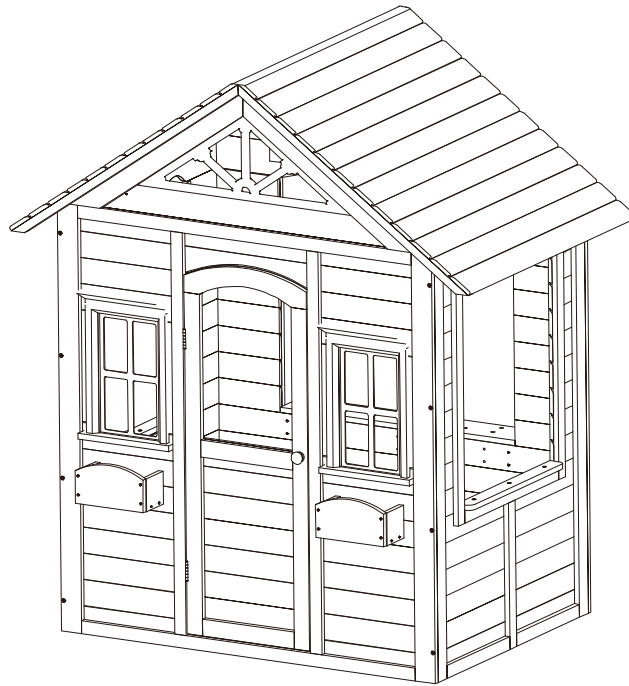


# MY 1ST PLAYHOUSE

ASSEMBLY, INSTALLATION, CARE, MAINTENANCE AND USE  
INSTRUCTIONS



Assembly Size: 136 x 97 x 152cm

## **! WARNING**

- Carefully read and understand the entire manual before assembling and using this product.
- This product is intended for use by children ages 3yrs+.
- Do not allow more than 4 children to use the Wooden Playhouse at the same time.
- Assembly requires at least TWO adults.
- Always inspect product thoroughly before each use.
- Warning! Only for outdoor use.
- Warning! Only for domestic use.
- PLEASE RETAIN THESE INSTRUCTIONS FOR FUTURE REFERENCE.

**DO NOT RETURN PRODUCT TO THE STORE. FOR CUSTOMER SERVICE OR REPLACEMENT PARTS, PLEASE CALL (+44) 0330 0904 420, or Email [warranty@sportspower.biz](mailto:warranty@sportspower.biz) or visit**

**[www.sportspowerspares.com](http://www.sportspowerspares.com)**

**WP-612R**

**Sportspower Ltd.**

20/F, Parkview Centre, 7 Lau Li Street, Causeway Bay, Hong Kong  
[www.sportspowerltd.net](http://www.sportspowerltd.net)

## INTRODUCTION

---

Thank you for purchasing a Sportspower product! Please read and understand the contents of this instruction manual. This manual contains specific safety instructions that must be followed to prevent injuries and ensure proper maintenance.

This equipment is for residential use only. This product is NOT intended for public or commercial use. The warranty will be voided if the product is used in a commercial application.

This product is intended for use by children ages 3yrs+. Children must NOT play on this set until it is properly assembled and inspected by two adults. Adult supervision is required at all times while children are playing on the equipment. Do not allow children under four (4) years old to be near during the assembly of this product due to choking hazards of small parts.

The equipment must be installed on level ground. Uneven ground must be leveled prior to installation. Installation on sloping or uneven ground will put stress on the joints, causing the unit to become loose and unstable which may result in serious injuries. You must ensure there are no obstructions or structures (e.g. electrical wires, branches, house, fence, garage, etc) within two (2) meters from the equipment.

Please thoroughly read and follow the instructions in this manual to ensure proper and enjoyable play for your children. The product must be checked before each use and maintained regularly. This includes, but is not limited to inspecting the play set for cracks, excess wear, missing parts, loose connections and for overall integrity. When the set shows any signs of weakness or damage you must stop using the product immediately and properly store the set or restrict access by users until the condition is resolved.



## IMPORTANT WARNINGS AND INSTRUCTIONS

**Important –Please read these instructions thoroughly before assembly or use.**

**BEFORE YOU BEGIN:**Carefully read all instructions in this manual before assembling and using this product. The unit must be assembled by adults. Heavy duty working gloves must be worn to avoid injuries during assembly.

### **WARNING**

#### **READ ALL INSTRUCTIONS BEFORE ASSEMBLING OR USING THIS EQUIPMENT**

##### **AGE LIMIT**

- This product is intended for use by children ages 3yrs+.
- Maximum user weight is 45kg each with a combined maximum weight of 180kg.
- Use by smaller children can result in entrapment and serious injury.
- On-site adult supervision is required at all times for children of all ages.
- Do not allow use by children with any physical condition that may affect his/her ability to use this equipment safely.

##### **IMPORTANT:**

- Children must NOT play on this set until it is properly assembled and inspected by an adult.
- The product must be properly installed BEFORE by children use.
- You MUST read and follow all instructions in this manual before installing or attempting to use this product.

Failure to follow these important requirements may result in the warranty being voided and/or serious injury. Please supervise your children carefully during the installation and assembly of the product.

Please also pay close attention to the periodic maintenance that is required to keep your set in a safe condition for maximum enjoyment of backyard fun!



## IMPORTANT WARNINGS AND INSTRUCTIONS

**Important –Please read these instructions thoroughly before assembly or use.**

### BEFORE YOU BEGIN ASSEMBLY:

- Take a complete inventory of components using the parts list.
- Sort and lay out the wood pieces. Label each piece of wood for easy reference. For easy identification during the assembly process, write the board's letter on masking tape and adhere to each piece of the wood. Some wooden components may twist or warp in the carton after packaging. Usually, these parts straighten out when assembled. You may also see some cracking of the grain. This is normal.
- Sort all hardware according to size. Do not worry if extra hardware is included.

### FIND A SAFE PLAY LOCATION.

- You **MUST** install the product on level ground. Uneven ground must be leveled prior to installation. The manufacturer cannot assume responsibility for any failure from incorrect installation. Installing on sloping ground will put stress on all the joints, which will cause the set to become loose and unstable.
- Find a location where the equipment can be placed more than 2meters from any structure or obstruction (ex: electrical wires, branches, house, fence, garage). The safe play area refers to a zone extending 2meters beyond the gym set on all sides, including the space above the play set.
- The safe play area must be free of all structures, landscaping, trees and branches, rocks, wires and other obstacles to safe play. Children can be seriously injured running or swinging into these obstacles.
- Remove any rocks or any jagged or sharp object that could endanger your children's' safety.
- Remove all tripping hazards from the safe play area. Tripping hazards include but are not limited to: roots, stumps, rocks, landscaping, sprinkler heads, railroad ties, plumbing, and electrical connections.
- Do **NOT** install your play set over gravel, asphalt, packed earth or any other hard surface. The following is a list of recommended ground covers from the Consumer Product Safety Commission.

SUGGESTED MATERIAL	UNCOMPRESSED DEPTH
Double Shredded Bark Mulch	23cm
Uniform Wood Chips	30.5cm
Fine Gravel	30.5cm
Fine Sand	30.5cm



## IMPORTANT WARNINGS AND INSTRUCTIONS

**Important –Please read these instructions thoroughly before assembly or use.**

**BEFORE YOU BEGIN:** Carefully read all instructions in this manual before assembling and using this product. The unit must be assembled by adults. Heavy duty working gloves must be worn to avoid injuries during assembly.

### **WARNING**

#### **READ ALL INSTRUCTIONS BEFORE ASSEMBLING OR USING THIS EQUIPMENTAGE LIMIT**

##### **PLAY SUPERVISION**

- DO NOT allow children to walk too close to moving parts. ALWAYS keep a safe distance to avoid being struck by other children while playing.
- Owners shall be responsible for maintaining the legibility of the warning labels.
- Observing the following statements and warnings reduces the likelihood of serious or fatal injury.
- It is the owner's responsibility to instruct children not to use the equipment in a manner other than intended.
- DO NOT allow children to climb or jump off the equipment. Serious injury or death can occur.
- ALWAYS dress children appropriately for safe play, e.g. wear well-fitted rubber sole shoes, and remove loose or sharp items such as jewelry, hair accessories, scarf, ponchos, which may become entangled in the equipment or cause injuries.
- ALWAYS check parts exposed to the body for extreme heat from the sun before allowing children to use the equipment.
- ALWAYS prevent access and secure from any unauthorized use when there is no adult supervision.
- DO NOT allow pets or other animals near the equipment to prevent damage or injuries.



## IMPORTANT WARNINGS AND INSTRUCTIONS

**Important –Please read these instructions thoroughly before assembly or use.**

### **INSPECTION PRIOR TO EACH USE OR DAILY INSPECTION**

- DO NOT use the equipment if any bolts or nuts are missing or loose. ALWAYS check to ensure the equipment and all parts are well secured and stable before each use.
- ALWAYS clear the play area of any rocks, sharp objects, or any materials that could be potentially hazardous to users.
- DO NOT attach items to the equipment that are not specifically designed for use with the equipment, including, but not limited to, jump ropes, clothesline, pet leashes, cables and chains as they may cause choke hazards.
- The wood and steel parts used in your product are subject to normal wear. Gradual deterioration of the material will occur, the speed of which will depend on the level of exposure to UV rays, airborne pollution, outdoor weather conditions such as rain and wind and the amount of use. You must inspect the equipment prior to every use. This includes, but is not limited to inspecting the set for cracks, excess wear, missing parts, loose connections, and for overall integrity. When the set shows any signs of weakness, you must stop using the play set immediately, properly store the set or restrict access by users until the condition is resolved.

### **AT THE BEGINNING OF EACH PLAY SEASON:**

- Tighten all hardware.
- Lubricate all metallic moving parts per manufacturer's instructions.
- Check all protective coverings on bolts, pipes, edges, and corners. Replace if they are loose, cracked, or missing.
- Check all wood members for deterioration and splinters. Sand down splinters and replace deteriorating wood members.
- Rake and check depth of loose fill protective surfacing materials to prevent compaction and to maintain appropriate depth. Replace as necessary.

### **TWICE A MONTH DURING PLAY SEASON:**

- Tighten all hardware.
- Check all protective coverings on bolts, pipes, edges, and corners. Replace if they are loose, cracked, or missing.
- Rake and check depth of loose fill protective surfacing materials to prevent compaction and to maintain appropriate depth. Replace as necessary.

### **ONCE A MONTH DURING PLAY SEASON:**

- Lubricate all metallic moving parts per manufacturer's instructions.



## IMPORTANT WARNINGS AND INSTRUCTIONS

**Important –Please read these instructions thoroughly before assembly or use.**

**At the end of each play season or when the temperature drops below 32°F (temperature to be selected by the manufacturer).**

- Rake and check depth of loose fill protective surfacing materials to prevent compaction and to maintain appropriate depth. Replace as necessary.
- Owners shall be responsible for maintaining the legibility of the warning labels.

### **WEATHER CONDITIONS**

- Please be aware of weather conditions when using the equipment. If it is too windy, users could lose control and suffer injuries. The playground equipment must be properly anchored, stored away or restricted from use during inclement weather such as heavy winds or severe weather storms. You should consult a local contractor about ways to anchor the product in your location.
- Take indoors or do NOT use when the temperature drops below 32 degrees F.

### **DISPOSAL INSTRUCTIONS**

- Please use care when disassembling the equipment. Wear heavy duty working gloves to avoid injuries.
- Do not leave partially disassembled equipment parts in areas accessible by children.
- All steel parts could be recycled. Take it to your local recycling center. Do not let children play with any disassembled parts destined for disposal, such as chains, slide, tubing, bolts, nuts, screws, etc.



## IMPORTANT WARNINGS AND INSTRUCTIONS

**Important –Please read these instructions thoroughly before assembly or use.**

The following guidelines are extracts from the Consumer Product Safety Commission Outdoor Home Playground Safety Handbook. It is recommended that you read the entire handbook and take necessary precautions to prevent serious injuries to your children, including:

### **CHOOSING A SITE**

- When you choose a home playground, a location away from roads and driveways and readily visible from inside the home and patios or porches, is important.
- Create a site free of obstacles that could cause injuries-such as low overhanging tree branches, overhead wires, tree stumps and/or roots, large rocks, bricks and concrete.
- Choose a level location for the equipment. This can reduce the likelihood of the play set tipping over and loose-fill surfacing materials washing away during heavy rains. Some sites may need regarding to improve drainage or to reduce the slope.
- Locate play set at least 2 meters from any structure or obstacles, such as a house, fence, sheds, trees or poles. Swings should be further away from structures to the front and rear of the swings-a distance equal to twice the height of the top bar from which the swing is suspended.
- Locate bare metal platforms and slides out of direct sunlight to reduce the likelihood of serious burns. A slide that faces north will receive the least direct sunlight.

**Do not install home playground equipment over concrete, asphalt, or any other hard surface. A fall onto a hard surface can result in serious injury to the equipment user. Grass and dirt are not considered protective surfacing because wear and environmental factors can reduce their shock absorbing effectiveness. Carpeting and thin mats are generally not adequate protective surfacing.**

### **Loose-Fill Materials**

- Maintain a minimum depth of 23cm of loose-fill materials such as wood mulch/chips, engineered wood fiber(EWF), or shredded/recycled rubber mulch for equipment up to 244cm high; and 23cm of sand or pea gravel for equipment up to 152cm high. NOTE: An initial fill level of 31cm will compress to about a 9-inch depth of surfacing over time. The surfacing will also compact, displace, and settle, and should be periodically refilled to maintain at least a 23cm depth.
- Use containment, such as digging out around the perimeter and/or lining the perimeter with landscape edging. Don't forget to account for water drainage.
- Check and maintain the depth of the loose-fill surfacing material. To maintain the right amount of loose-fill materials, mark the correct level on play equipment support posts. That way you can easily see when to replenish and/or redistribute the surfacing.
- **Do not** install loose fill surfacing over hard surfaces such as concrete or asphalt.





## IMPORTANT WARNINGS AND INSTRUCTIONS

Important –Please read these instructions thoroughly before assembly or use.

### **Poured-In-Place Surfaces or Pre-Manufactured Rubber Tiles**

You may be interested in using surfacing other than loose-fill materials-like rubber tiles orpoured-in-place surfaces.

- Installations of these surfaces generally require a professional and are not “do-it-yourself” projects
- Check the protective surfacing frequently for wear.

### **PLACEMENT**

Proper placement and maintenance of protective surfacing is essential. Be sure to:

- Extend surfacing at least 2 meter from the equipment in all directions.



## IMPORTANT WARNINGS AND INSTRUCTIONS

Important –Please read these instructions thoroughly before assembly or use.

### Outdoor Home Playground Safety Checklist

Use this to help make your home playground a safe place to play!

<b>Supervision</b>	Be sure to always supervise children on play equipment.
<b>Surfacing</b>	Install a protective surface under and around play equipment to reduce the likelihood of serious head injuries. For most play equipment, install protective surfacing 2 meters in all directions beyond the equipment. For swings, extend protective surfacing in front and back of the swing to a distance that is twice the height of the bar from which the swing is suspended. For tire swings, install protective surfacing outward from the swing equal to the suspension chain plus 2 meter.
<b>Types of Surfacing</b>	Use wood mulch/chips, shredded rubber mulch, or engineered wood fiber for equipment up to 2 meters high. Use sand, pea gravel, or mulch products listed above for play equipment up to 2 meters high; or use surface mats tested to provide impact protection equal to or greater than the height of the play equipment.
<b>Equipment Maintenance</b>	Periodically check nuts, bolts, caps, swing seats, suspension ropes, chains and cables and replace as necessary. Maintain loose-fill surfacing and surface mats.
<b>Opening</b>	Eliminate openings that can trap a child's head or neck, such as openings in guardrails or ladders. Openings should be smaller than 9cm to prevent entry of a small child's body, or larger than 23cm to allow a child's head and body to slide completely through.
<b>Guardrails or Barriers</b>	Make sure that platforms and ramps over 76cm high have guardrails or barriers to prevent falls.
<b>Repair</b>	Repair sharp points or doges on equipment that can cause injuries.
<b>Upkeep of Hardware</b>	Replace missing hardware, eliminate protruding bolts and close "S" hooks that can cause injuries.



## IMPORTANT WARNINGS AND INSTRUCTIONS

**Important –Please read these instructions thoroughly before assembly or use.**

### **What to Inspect:**

#### **Hardware:**

Inspect all nuts and bolts and tighten if required. Hardware should be firmly against, but not crushing the wood. Over-tightening hardware crushes wood fibers and can split wooden components resulting in the bolt thread extending beyond the wood. This poses a severe safety hazard. If bolt threads protrude beyond the wood surface, replace the bolt with a shorter one that will not protrude. If splintering has occurred from over-tightening, larger washers can be purchased at your local hardware store and installed under the bolt head. Be sure to reuse or replace your lock washers.

#### **Major Wooden Parts:**

Inspect for structural defects and splintering. If necessary, lightly sand and refinish with an exterior water repellent stain. Seasonal cracking of the grain on wooden parts is quite natural. Water and heat are the most frequent causes of expansion and contraction of wood fibers. Our wood set has been treated with stain to resist weathering, but it needs to be maintained periodically by applying new stain or paint.

#### **Dowels (Rungs)**

Inspect for structural defects and splintering. If necessary, lightly sand and refinish with a clear water repellent, exterior sealant or boiled linseed oil. Do NOT paint, varnish or finish rungs with any substance that may reduce your child's ability to firmly grasp or step on the rungs.

#### **Play Area**

Inspect to assure that the swing set has settled properly and the location of the set is still level.

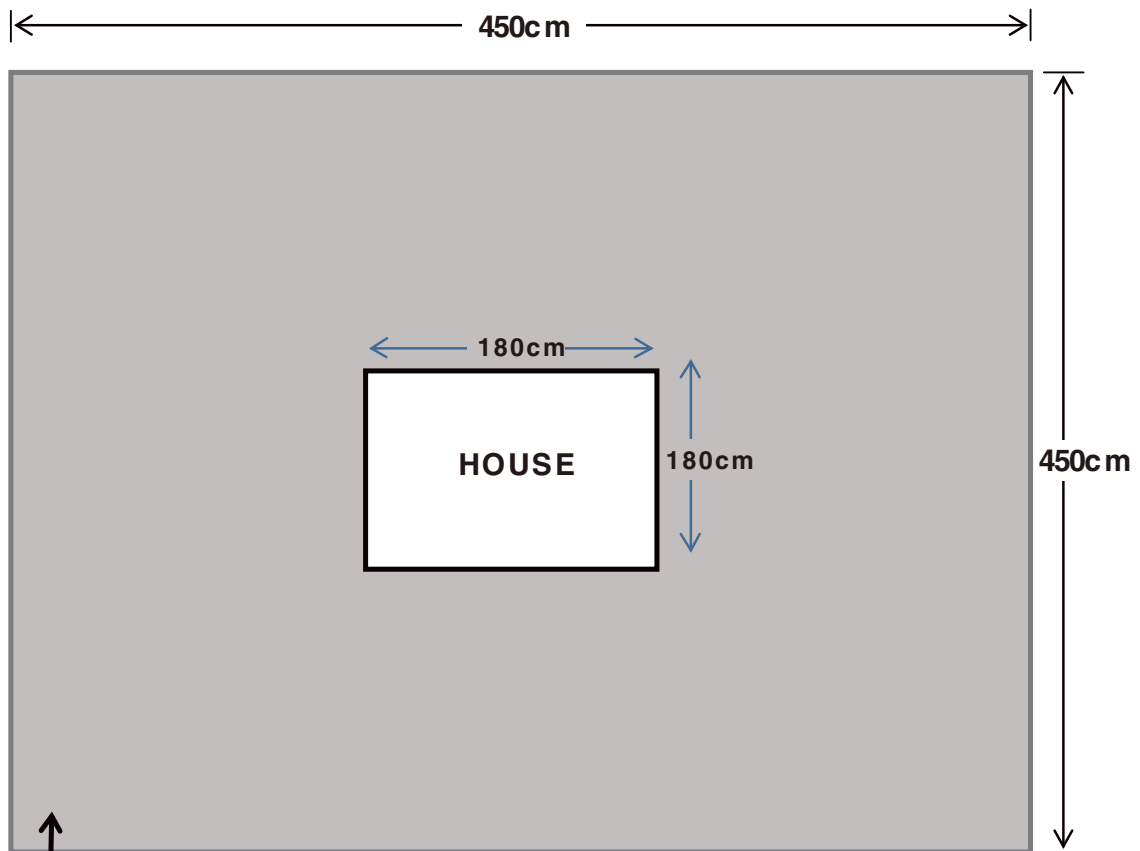
## GROUND COVER INFORMATION

**Important –Please read these instructions thoroughly before assembly or use.**

SELECTING THE CORRECT LOCATION FOR YOUR PLAY PRODUCT IS IMPORTANT FOR YOUR CHILDREN'S SAFETY AND THE PRODUCT'S LONGEVITY

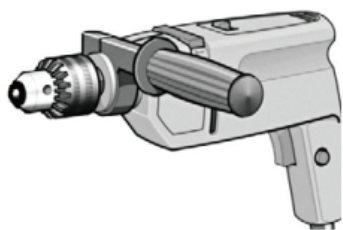
<p><b>Dimensions:</b> Product Dimension: 136 x 97 x 152cm Recommended Play Area Ground Cover: 450 x 450 x 450cm</p>	<p><b>General Information:</b> The play set has been designed and engineered for up to 4 children.</p>
---	--

### RECOMMENDED PLAY AREA DIAGRAM



Recommended dimension of play area using appropriate ground cover

## Tools Required for Assembly (Not Included)



Electric Drill



Phillips Head Screwdriver



Ladder or Step Tool



Phillips Head Screwdriver




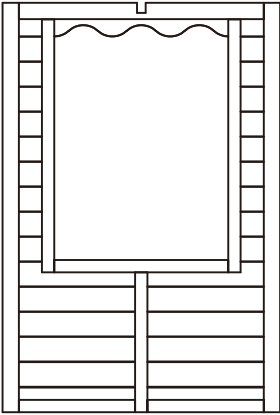
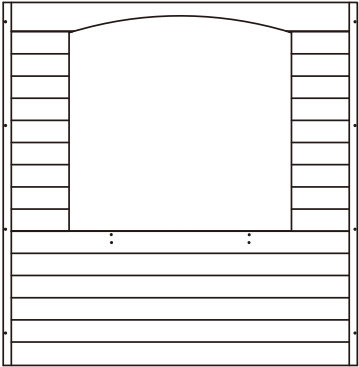
Working Gloves

## Tools Required for Assembly (Included)



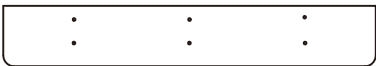

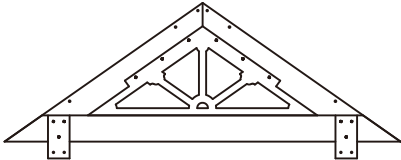
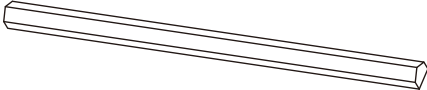
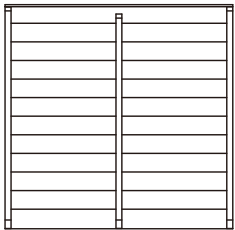


Wrench  
(M5)

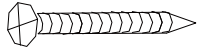
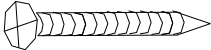
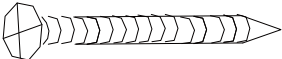
# Wood parts list

Part Number	Part Picture	Qty
W1		1
W2		2
W3		1

## Woodparts list

Part Number	Part Picture	Qty
W4		2
W5		2
W6		1
W7		3
W8		2
W9		1
W10		2

## Hardwareparts list

S5 M4X30		28
S6 M4X35		12
S7 M4X45		22

# **IMPORTANT!!!**

**Please do not fully tighten screws until set is completely assembled.**

Screws should be tightened just enough to hold the parts together initially. Once the whole unit is assembled, you must go back and tighten all screws and inspect for stability before allowing children to use the play set.

All wood parts are labeled with the part number and holes are pre-drilled for easier installation.



# Assembly Instructions

## Step 1

### Wood Boards Needed:

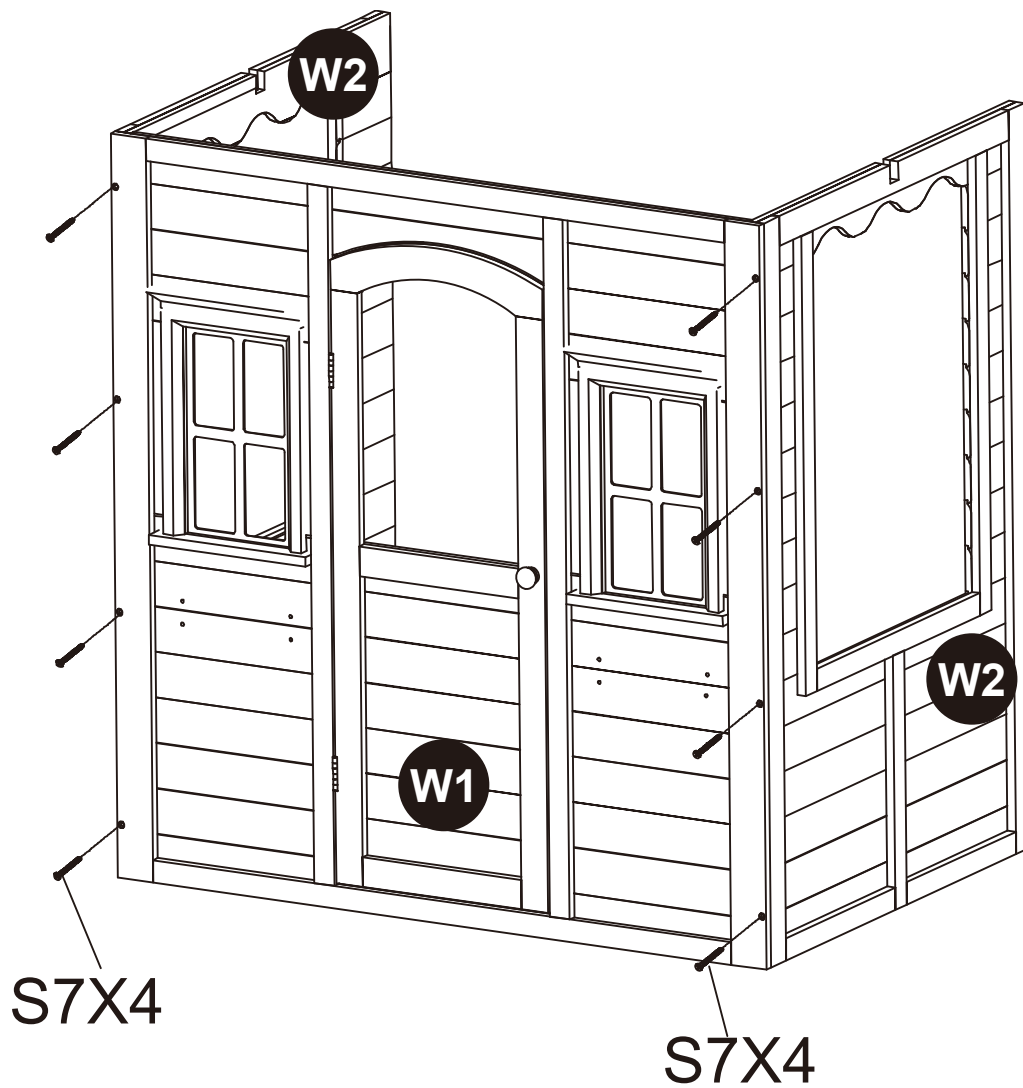
Part No.	Quantity
W1	1 pieces
W2	2 pieces

### Hardware Needed:

Part No.	Quantity
S7	8 pieces

### INSTALL WALL PANELS OF PLAYHOUSE

➤ Connect part #W1 to part #W2 using S7 (8 pieces) as shown.



# Assembly Instructions

## Step 2

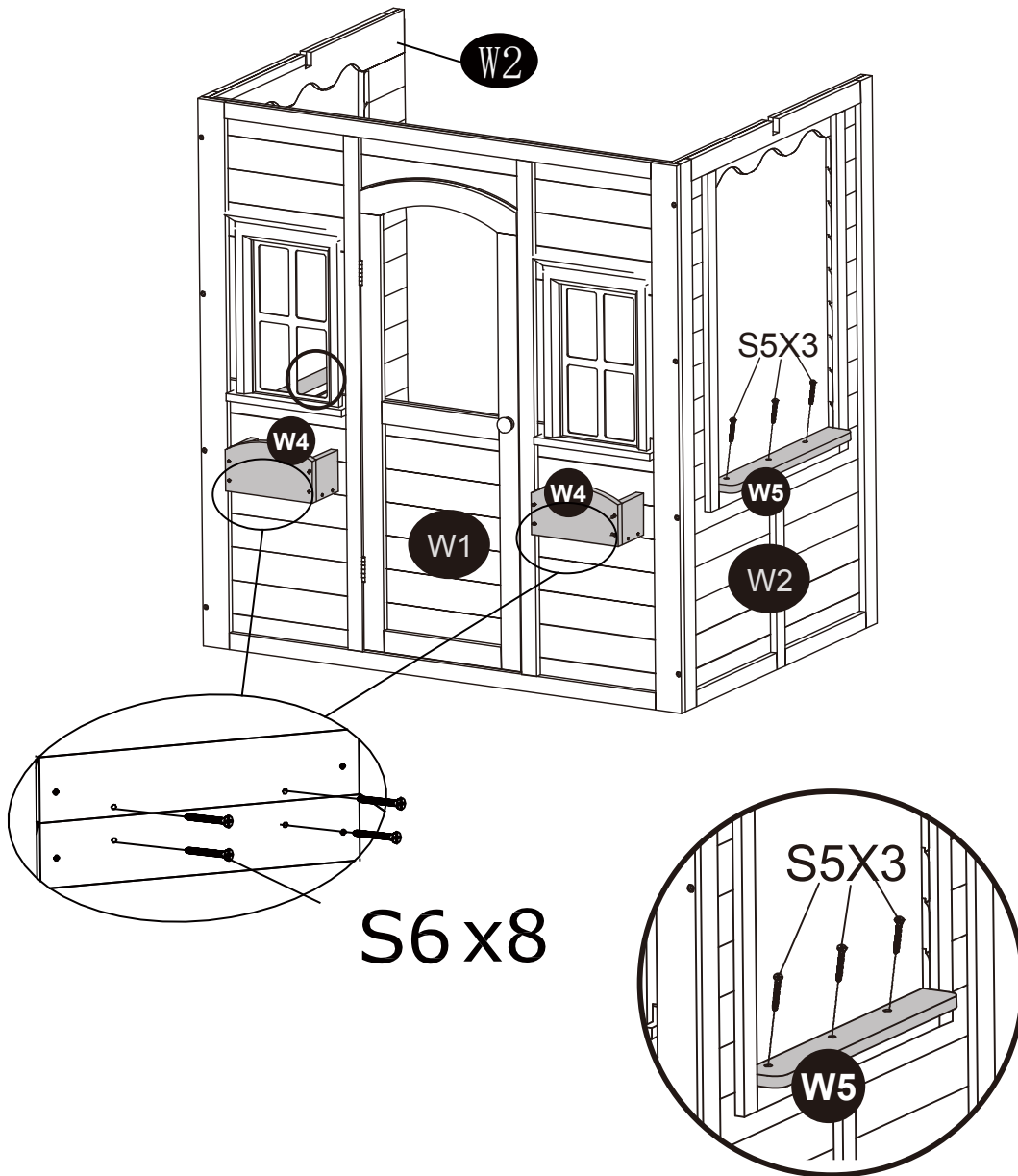
### Wood Boards Needed:

Part No.	Quantity
W4	2 pieces
W5	2 pieces

### Hardware Needed:

Part No.	Quantity
S5	6 pieces
S6	8 pieces

- Connect part #W4 to part #W1 using S6 (8 pieces) from inside as shown.
- Connect part #W5 to part #W2 using S5 (6 pieces) on both sides as shown.



# Assembly Instructions

## Step 3

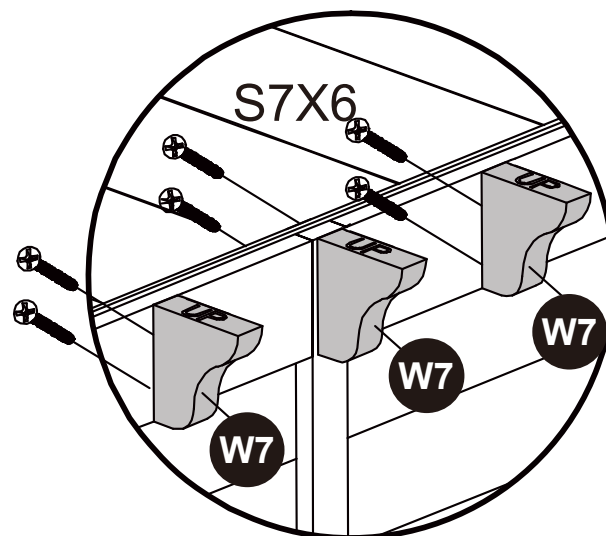
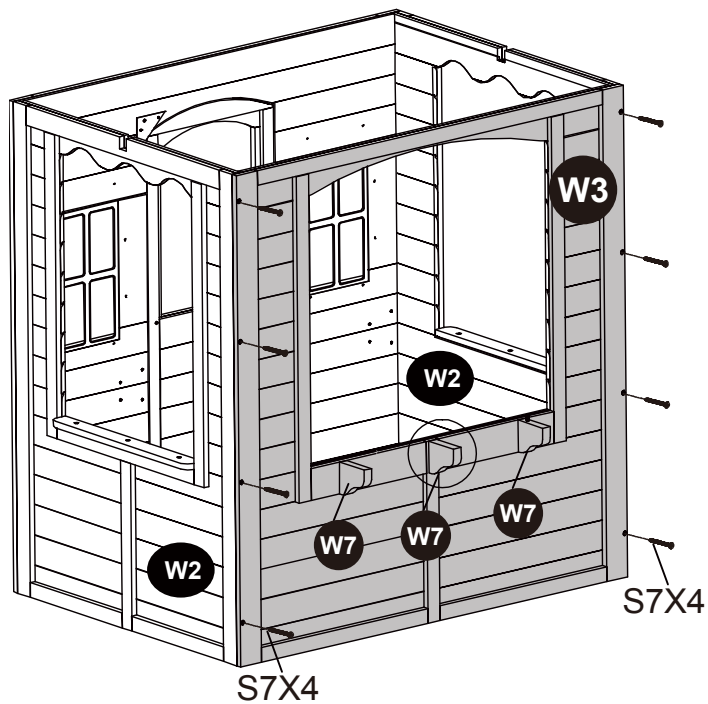
### Wood Boards Needed:

Part No.	Quantity
W3	1 pieces
W7	3 pieces

### Hardware Needed:

Part No.	Quantity
S7	14 pieces

- Connect part #W3 to part #W2 using S7 (8 pieces) as shown.
- Connect part #W7 to part #W3 using S7 (6 pieces) as shown.
- Hint: make sure the UP marking on W7 is facing up when assembling.



# Assembly Instructions

## Step 4

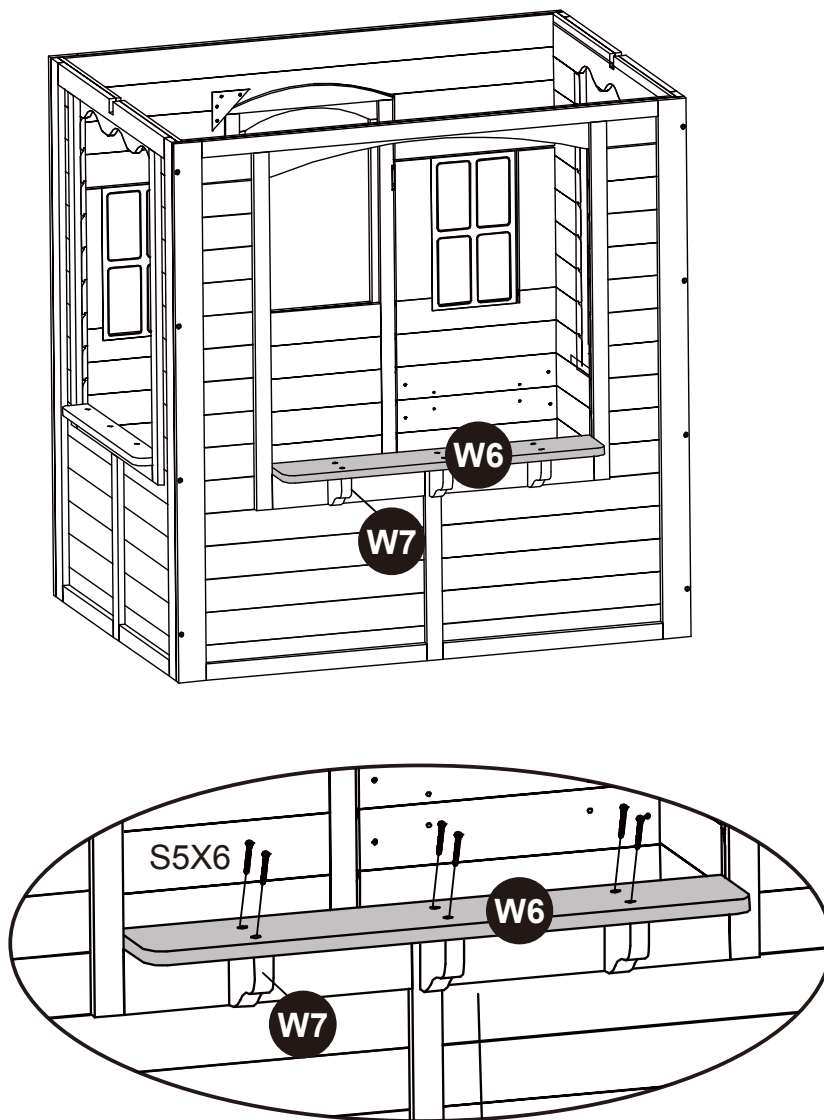
### Wood Boards Needed:

Part No.	Quantity
W6	1 pieces

### Hardware Needed:

Part No.	Quantity
S5	6 pieces

- Connect part W6 to part #W7 using S5 (6 pieces) as shown.



# Assembly Instructions

## Step 5

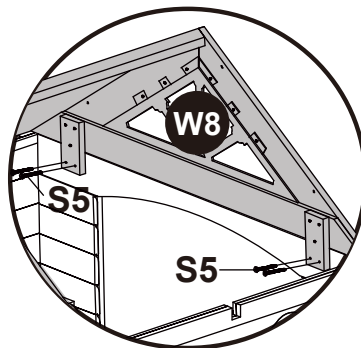
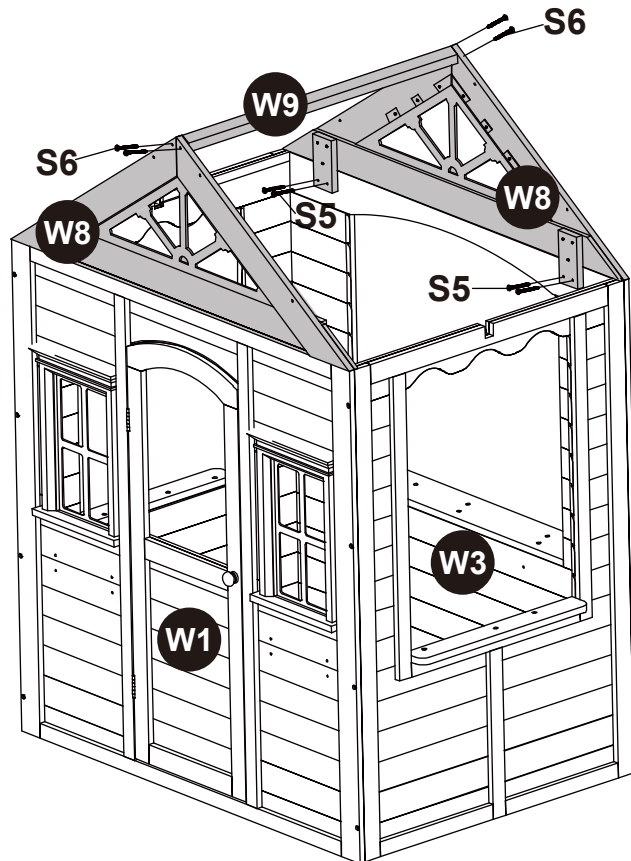
### Wood Boards Needed:

Part No.	Quantity
W8	2 pieces
W9	1 pieces

### Hardware Needed:

Part No.	Quantity
S5	8 pieces
S6	4 pieces

- Connect part #W8 to part #W1 and W3, using S5 (8 pieces).
- Connect part #W9 to part #W8, using S6 (4 pieces) as shown.



# Assembly Instructions

## Step 6

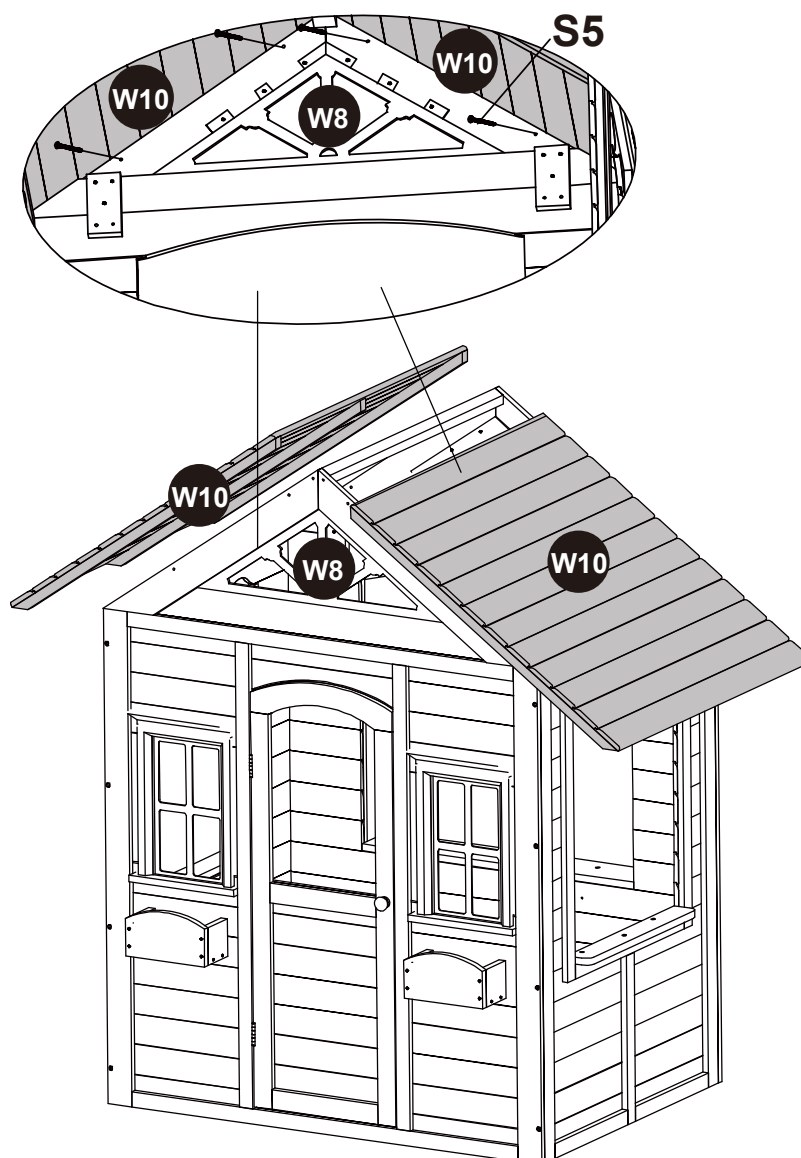
### Wood Boards Needed:

Part No.	Quantity
W10	2 pieces

### Hardware Needed:

Part No.	Quantity
S5	8 pieces

➤ Connect part #W10 to part #W8, using S5 (8 pieces) from inside as shown.



Congratulations! You have completed installing the playhouse. Please go over the entire unit to tighten all the screws. Make sure all parts are properly assembled before allowing children to use.

## Product Warranty

Sportspower Ltd warrants its products to be free from defects in material and workmanship under normal use and service conditions for 180 days after the date of purchase.

All warranty coverage extends only to the original purchaser of the product and is not assignable or transferable. The original store or online purchase receipt must be kept as proof of purchase in order for the warranty to be valid. These documents must be presented in the event of making a claim under warranty.

During the warranty period, Sportspower will provide repair or replacement of defective equipment or parts thereof covered by the warranty. Any handling, transportation, delivery and other incidental charges in respect of the servicing of the equipment shall be borne by the Purchaser. If the product includes a number of accessories, only the defective part or accessory will be replaced.

The warranty will become void if any defects or damages are associated with the use of unauthorized replacement parts. All replacement parts must be obtained from Sportspower authorized agents.

All decisions made by Sportspower in respect of the servicing of the equipment (including repairs, replacements or issues relating to defects of workmanship or materials) shall be conclusive and the Purchaser agrees to be bound by such decisions. Any defective equipment or part thereof replaced shall become the property of Sportspower.

In the event of a product or accessory being replaced during the guarantee, the guarantee on the replacement will expire at the original date, i.e. 180 days from the original purchase date.

This warranty excludes defects caused by the product not being used in accordance with instructions, accidental damage, misuse or being tampered with by unauthorized persons.

The Sportspower Limited Warranty does not cover:

- (a) Products used for commercial or rental purposes.
- (b) Loss or damage to product due to: (i) abuse, repairs and/or tampering by any person other than the authorized personnel of Sportspower; (ii) negligence and/or misuse (including foreign object, accident, improper storage, exposure to sun/moisture, excessive temperature, sand, dust, dirt, other pollution or other environmental conditions and failure to follow precautions or proper operating instructions stated in the User's Manual such as improper installations); (iii) fire, flood, lightning strike, wind storm or other acts of God; (vi) freight or improper transport damages, and (v) improper usage (including use by under-age, over-weight or excessive number of users permitted as stated in the User's Manual).
- (c) Defects, damages or accidents due to the malfunction, connection to or use of non-Sportspower or unauthorized parts. In such event, Sportspower reserves the right to cancel the Limited Warranty coverage immediately.

To the extent allowed by the applicable local law, the remedies in the Limited Warranty are the Purchaser's sole and exclusive remedies.

## Product Warranty

SPORTSPower IS NOT RESPONSIBLE OR LIABLE FOR INDIRECT, SPECIAL OR CONSEQUENTIAL DAMAGES ARISING OUT OF OR IN CONNECTION WITH THE USE OR PERFORMANCE OF THE PRODUCT OR OTHER DAMAGES WITH RESPECT TO ANY ECONOMIC LOSS, LOSS OF PROPERTY, LOSS OF REVENUE OR PROFITS, LOSS OF ENJOYMENT OR USE, COST OF REMOVAL, INSTALLATION OR OTHER CONSEQUENTIAL DAMAGES.

PLEASE NOTE: ANY REPAIRS OR REPLACEMENTS MUST BE MADE USING AUTHORIZED SPORTSPower PARTS IN ORDER FOR THIS WARRANTY TO BE VALID.

**DO NOT RETURN PRODUCT TO THE STORE. PLEASE CONTACT OUR CUSTOMER SERVICE FOR PARTS OR ASSEMBLY INSTRUCTIONS. STORES ARE NOT EQUIPPED TO PROVIDE CUSTOMER SERVICE FOR THIS PRODUCT.**

**DO NOT RETURN PRODUCT TO THE STORE. FOR CUSTOMER SERVICE OR REPLACEMENT**

**PARTS, PLEASE CALL (+44) 0330 0904 420, or Email [warranty@sportspower.biz](mailto:warranty@sportspower.biz) or visit**

**[www.sportspowerspares.com](http://www.sportspowerspares.com)**

Sportspower Ltd.  
20/F, PARKVIEW CENTRE, 7 LAU LI STREET, CAUSEWAY BAY, HONG KONG  
[www.sportspowerltd.net](http://www.sportspowerltd.net)