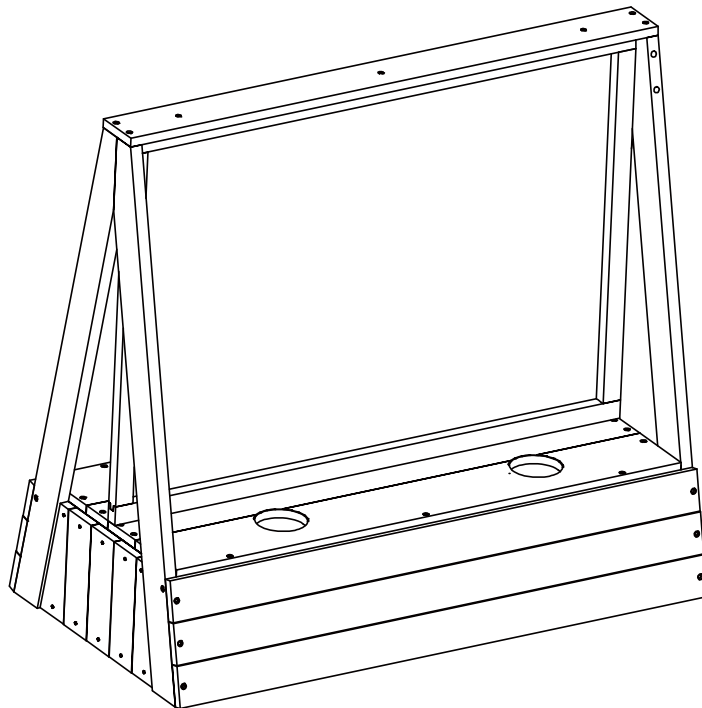




# OUTDOOR EASEL

MODEL NO.: WP-710R

ASSEMBLY, INSTALLATION, CARE, MAINTENANCE AND USE INSTRUCTONS



Assembly Size: 103 x 54.5 x 96cm

## WARNING

- Carefully read the entire manual before assembling and using this product.
- This product is intended for use by children ages 3yrs+.
- Assembly requires at least TWO adults.
- Always inspect product thoroughly before each use.
- Warning! Only for outdoor use.
- Warning! Only for domestic use.
- **PLEASE RETAIN THESE INSTRUCTIONS FOR FUTURE REFERENCE.**

**DO NOT RETURN PRODUCT TO THE STORE. FOR CUSTOMER SERVICE OR REPLACEMENT PARTS, PLEASE CALL (+44) 0330 0904 420, email [warranty@sportspower.biz](mailto:warranty@sportspower.biz) or visit [www.sportspowerfit4kids.com](http://www.sportspowerfit4kids.com)**

**Sportspower Ltd.**

20/F, Parkview Centre, 7 Lau Li Street, Causeway Bay, Hong Kong  
[www.sportspowerltd.net](http://www.sportspowerltd.net)



## IMPORTANT WARNINGS AND INSTRUCTIONS

**Important –Please read these instructions thoroughly before assembly or use.**

**BEFORE YOU BEGIN:** Carefully read all instructions in this manual before assembling and using this product. The unit must be assembled by adults. Heavy duty working gloves should be worn to avoid injuries during assembly.

### **WARNING**

#### **READ ALL INSTRUCTIONS BEFORE ASSEMBLING OR USING THIS EQUIPMENT**

- This product is intended for use by children ages 3yrs+.
- On-site adult supervision is required at all times for children of all ages.
- Do not allow use by children with any physical condition that may affect his/her ability to use this equipment safely.
- Children must NOT play on this set until it is properly assembled and inspected by an adult.
- Do not allow children to climb on or jump off the easel.
- Do not allow more than four children to play at the same time.
- DO NOT allow children under three years old nearby during assembly. Small parts may cause choking hazard.

Failure to follow these important requirements may result in the warranty being voided and/or serious injury. Please supervise your children carefully during the installation and assembly of the product.

Please also pay close attention to the periodic maintenance that is required to keep your set in a safe condition for maximum enjoyment of backyard fun!

- **Hardware:**  
To check all nuts and bolts for tightness and replace when required. Hardware should be firmly against, but not crushing the wood. Over-tightening hardware crushes wood fibers and can split wooden components resulting in the bolt thread extending beyond the wood. This poses a severe safety hazard. If bolt threads protrude beyond the wood surface, replace the bolt with a shorter one that will not protrude. If splintering has occurred from over-tightening, larger washers can be purchased at your local hardware store and installed under the bolt head. Be sure to reuse or replace your lock washers.
- **Major Wooden Parts:**  
Inspect for structural defects and splintering. If necessary, lightly sand and refinish with an exterior water repellent stain. Seasonal checking or cracking of the grain on wooden parts is quite natural and water and heat are the most frequent causes of expansion and contraction of wood fibers. Our wood set has been treated with stain to resist weathering. But it needs to be maintained periodically by applying new stain or paint. To replace defective parts in accordance with the manufacture's instructions.



## IMPORTANT WARNINGS AND INSTRUCTIONS

**Important –Please read these instructions thoroughly before assembly or use.**

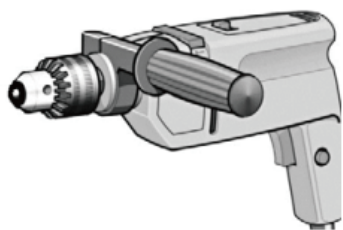
### **BEFORE YOU BEGIN ASSEMBLY:**

- Take a complete inventory of components using the parts list.
- Sort and lay out the wood. Label each piece of wood for easy reference. For easy identification during the assembly process, write the board's letter on masking tape and adhere to each piece of the wood. Some wooden components may twist or warp in the carton after packaging. Usually, these parts straighten out when assembled. You may also see some cracking of the grain. This is normal.
- Sort all hardware according to size. Do not worry if extra hardware is included.

### **FIND A SAFE PLAY LOCATION.**

- You **MUST** install the product on level ground. Uneven ground must be leveled prior to installation. The manufacturer cannot assume responsibility for any failure from incorrect installation. Installing on sloping ground will put stress on all the joints, which will cause the set to become loose and unstable.
- Find a location where the equipment can be placed more than 2 meters from any structure or obstruction (ex: electrical wires, branches, house, fence, garage). The safe play area refers to a zone extending 2 meters beyond the gym set on all sides, including the space above the play set.
- The safe play area must be free of all structures, landscaping, trees and branches, rocks, wires and other obstacles to safe play. Children can be seriously injured running into these obstacles.
- Remove any rocks or any jagged or sharp object that could endanger your children's' safety.
- Remove all tripping hazards from the safe play area. Tripping hazards include but are not limited to: roots, stumps, rocks, landscaping, sprinkler heads, railroad ties, plumbing, and electrical connections.
- Do **NOT** install your play set over gravel, asphalt, packed earth or any other hard surface.

## Tools Required for Assembly (Not Included)



Electric Drill



Phillips Head Screwdriver



Ladder or Step Tool




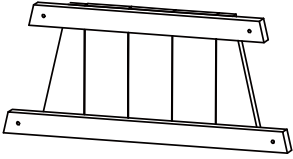

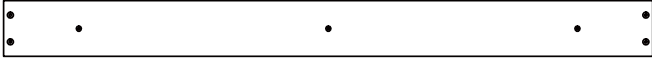
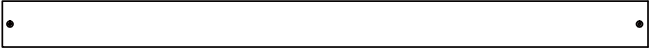
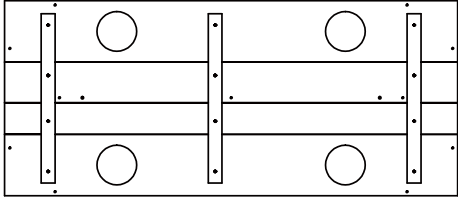


Phillips Head Screwdriver








Working Gloves

## Wood parts list

NO.	PICTURE	QTY
1		2
2		2
3		1
4		2
5		2
7		1
8		6
9		1

## Hardware parts list

NO.	PICTURE	QTY
L8 M3.8×60mm		4
L7 M3.8×45mm		4
L6 M3.8×35mm		38
U69		4
Allen Wrench (M5)		1

# Assembly Instructions

## Step 1

### Wood Boards Needed:

Part No.	Quantity
1	2
2	2
4	2

### Hardware Needed:

Part No.	Quantity
L6	8
L8	4

### INSTALL WALL PANELS OF PLAYHOUSE

- Connect #4 to #1 and #2 using L6 (8pcs).
- Connect #1 to #2 using L8 (4pcs).

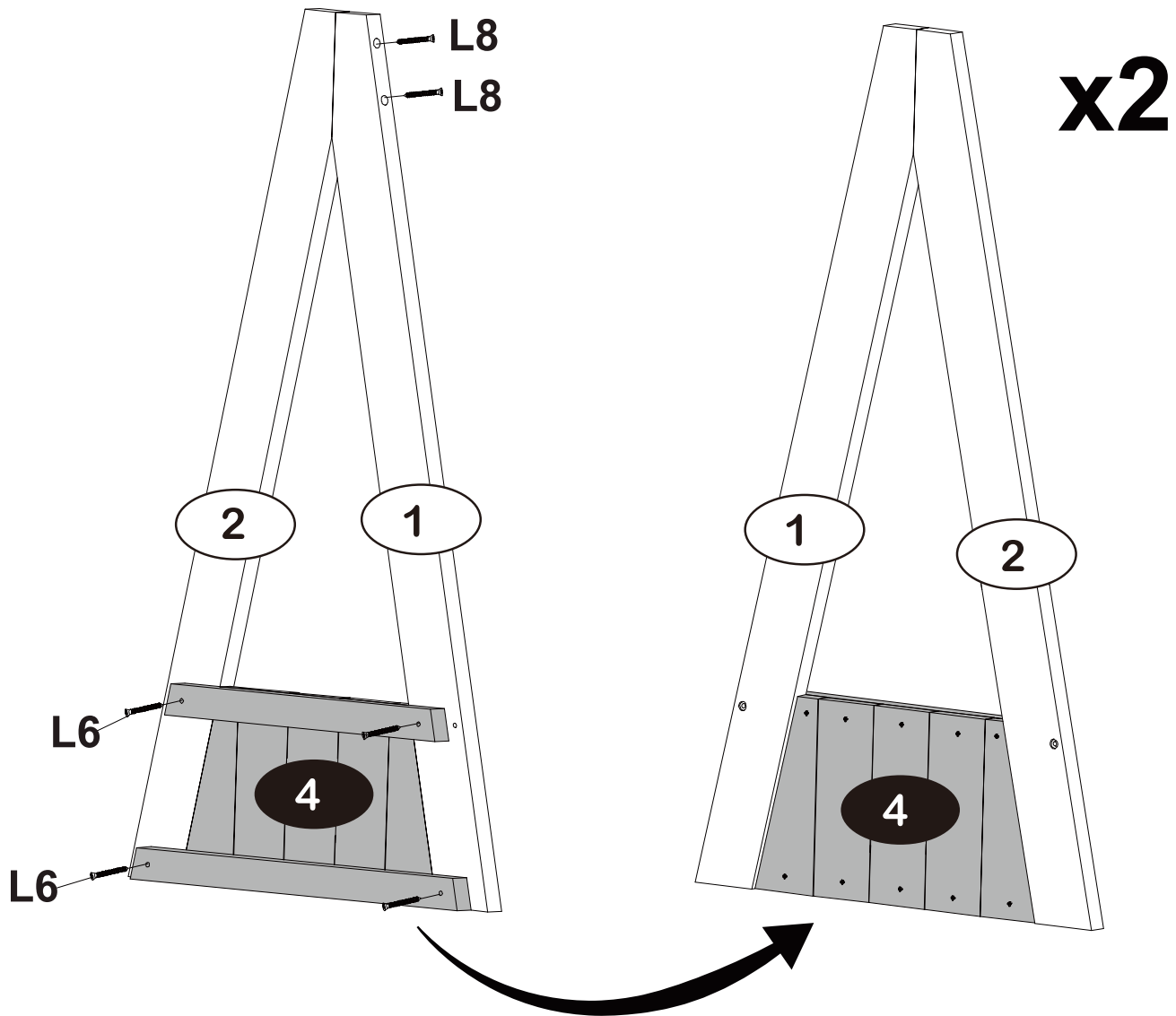


FIGURE 1

# Assembly Instructions

## Step 2

### Wood Boards Needed:

Part No.	Quantity
5	2

### Hardware Needed:

Hardware No.	Quantity
L7	4

- Connect #5 to #2 and #1 using L7 (4pcs).

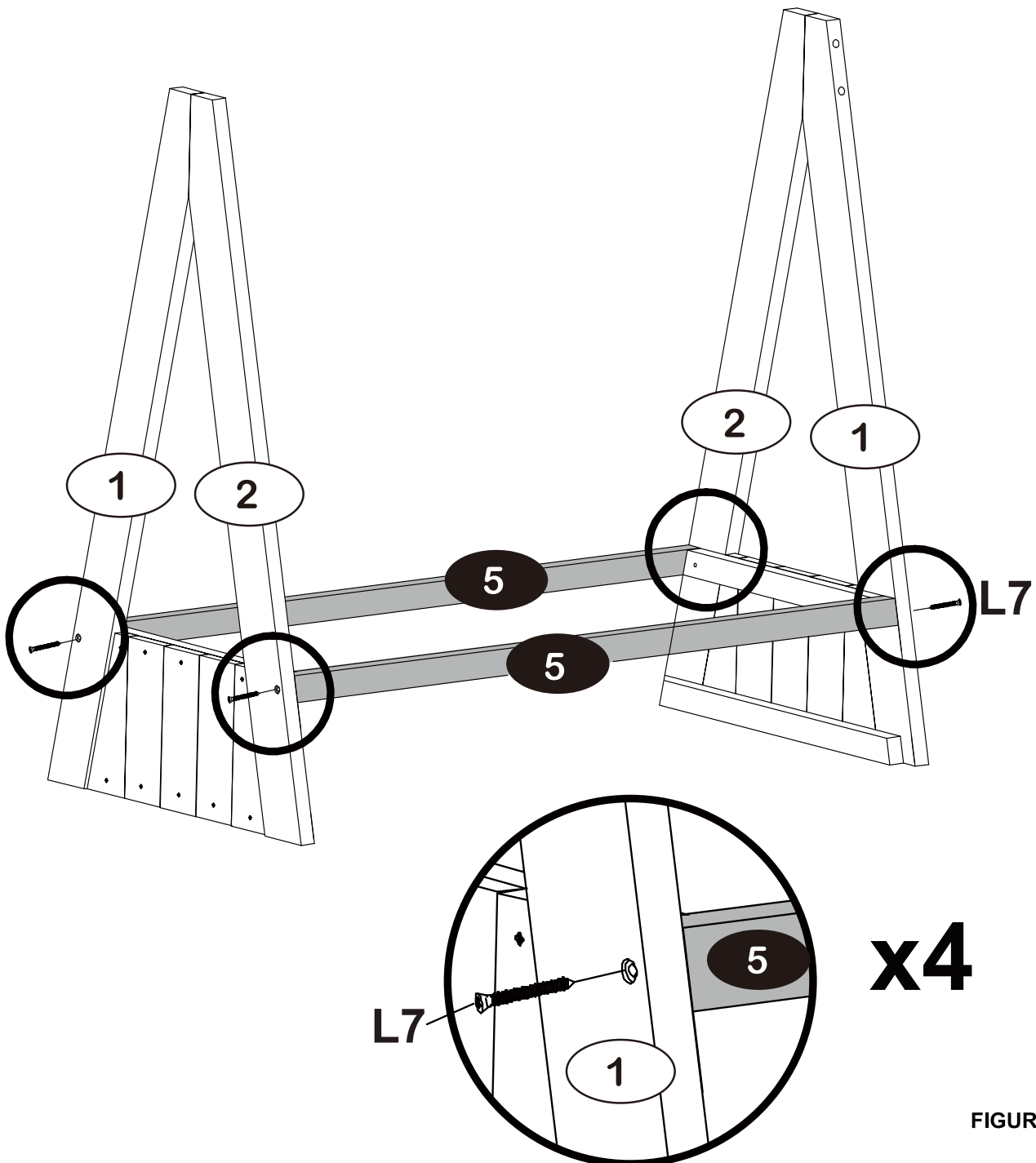


FIGURE 2



# Assembly Instructions

## Step 3

### Wood Boards Needed:

Part No.	Quantity
9	1

### Hardware Needed:

Hardware No.	Quantity
L6	8

- Connect #9 to #5 and #4 using L6 (8pcs).

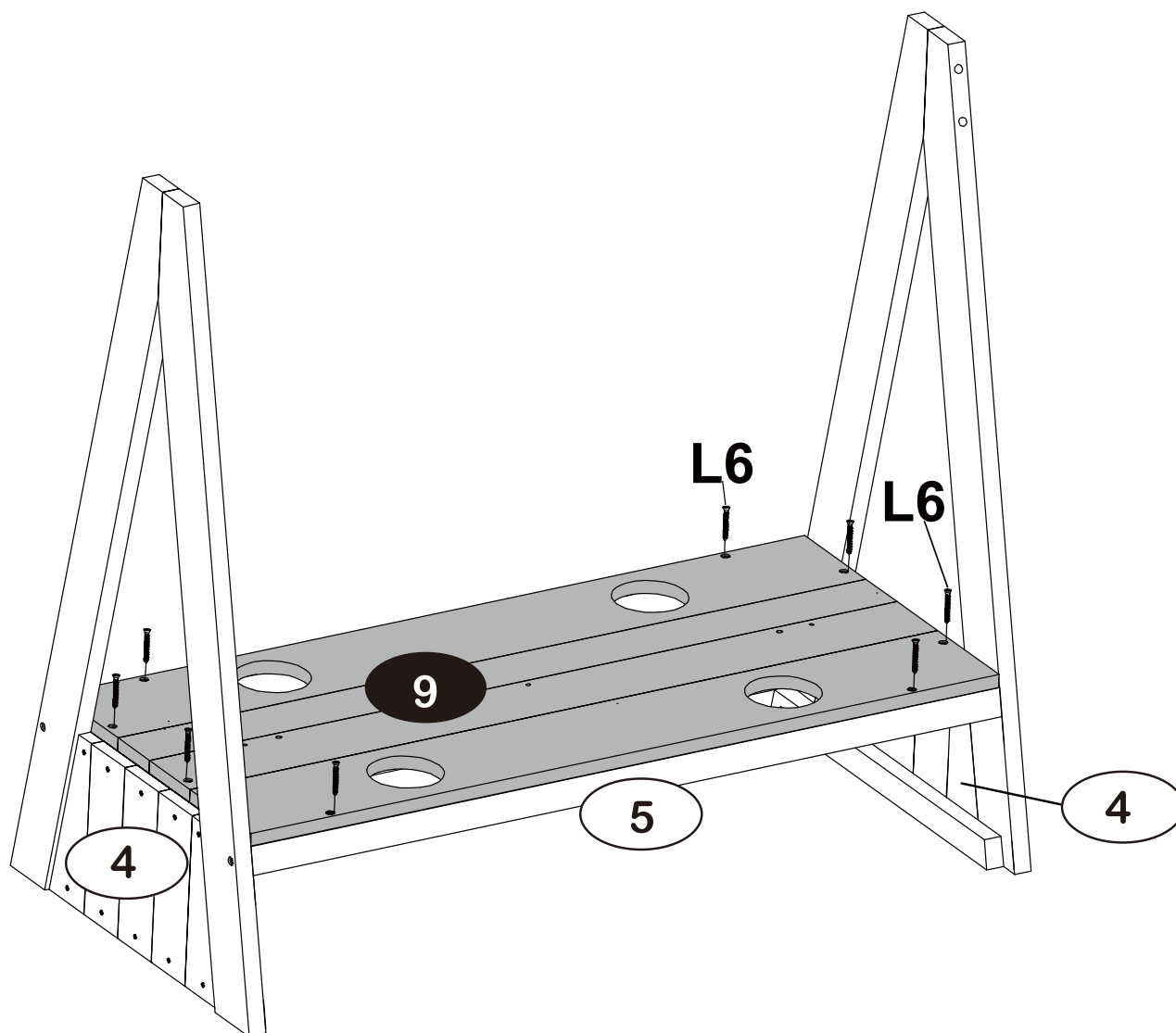


FIGURE 3

# Assembly Instructions

## Step 4

### Wood Boards Needed:

Part No.	Quantity
3	1
7	1

- Position #3 vertically in the center of the frame, then place #7 on top.

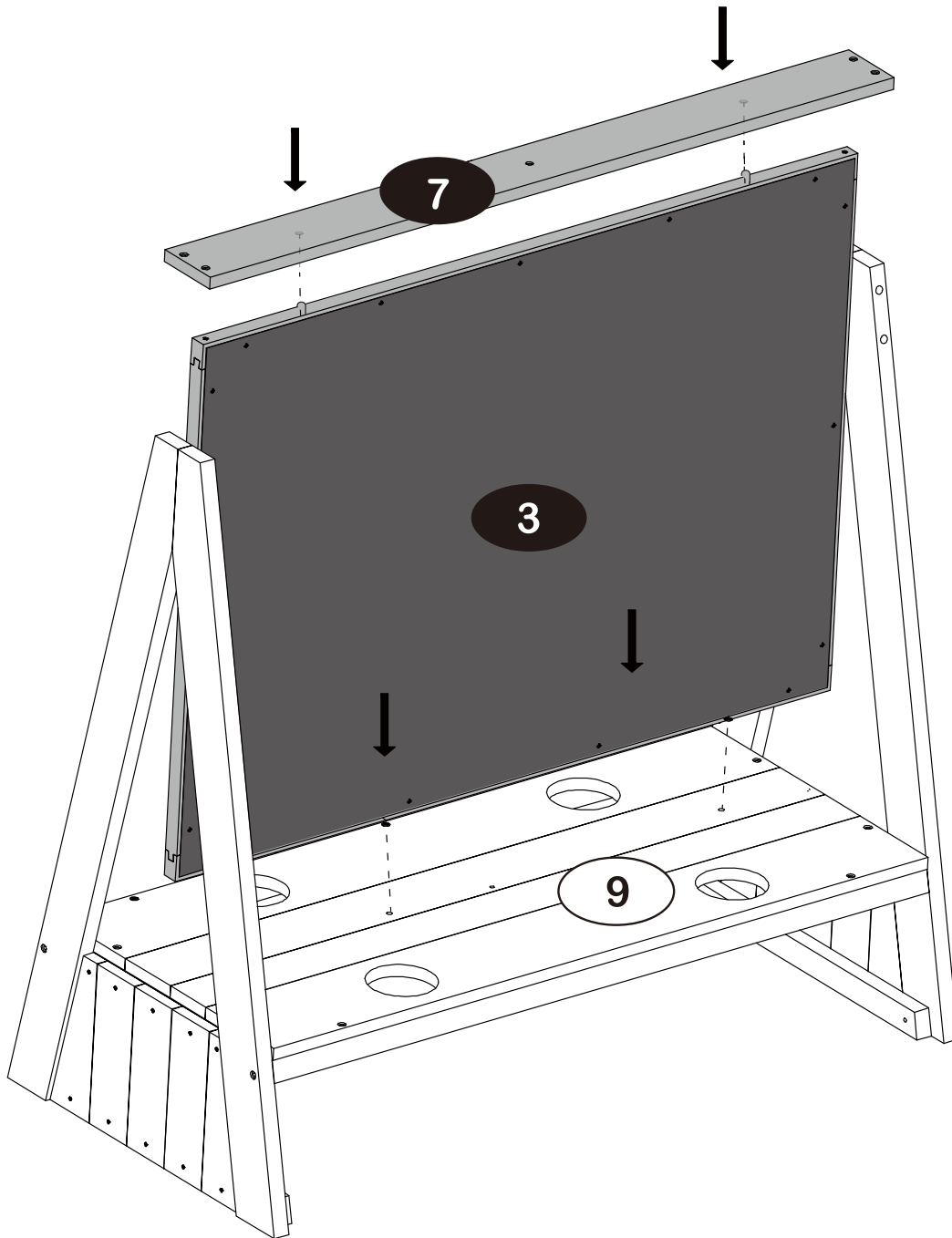


FIGURE 4

# Assembly Instructions

## Step 5

### Hardware Needed:

Hardware No.	Quantity
L6	10

- Connect #7 to #1 and #2 using L6 (4pcs).
- Connect #3 to #7 using L6 (3pcs).
- Connect #3 to #9 using L6 (3pcs) from under side.

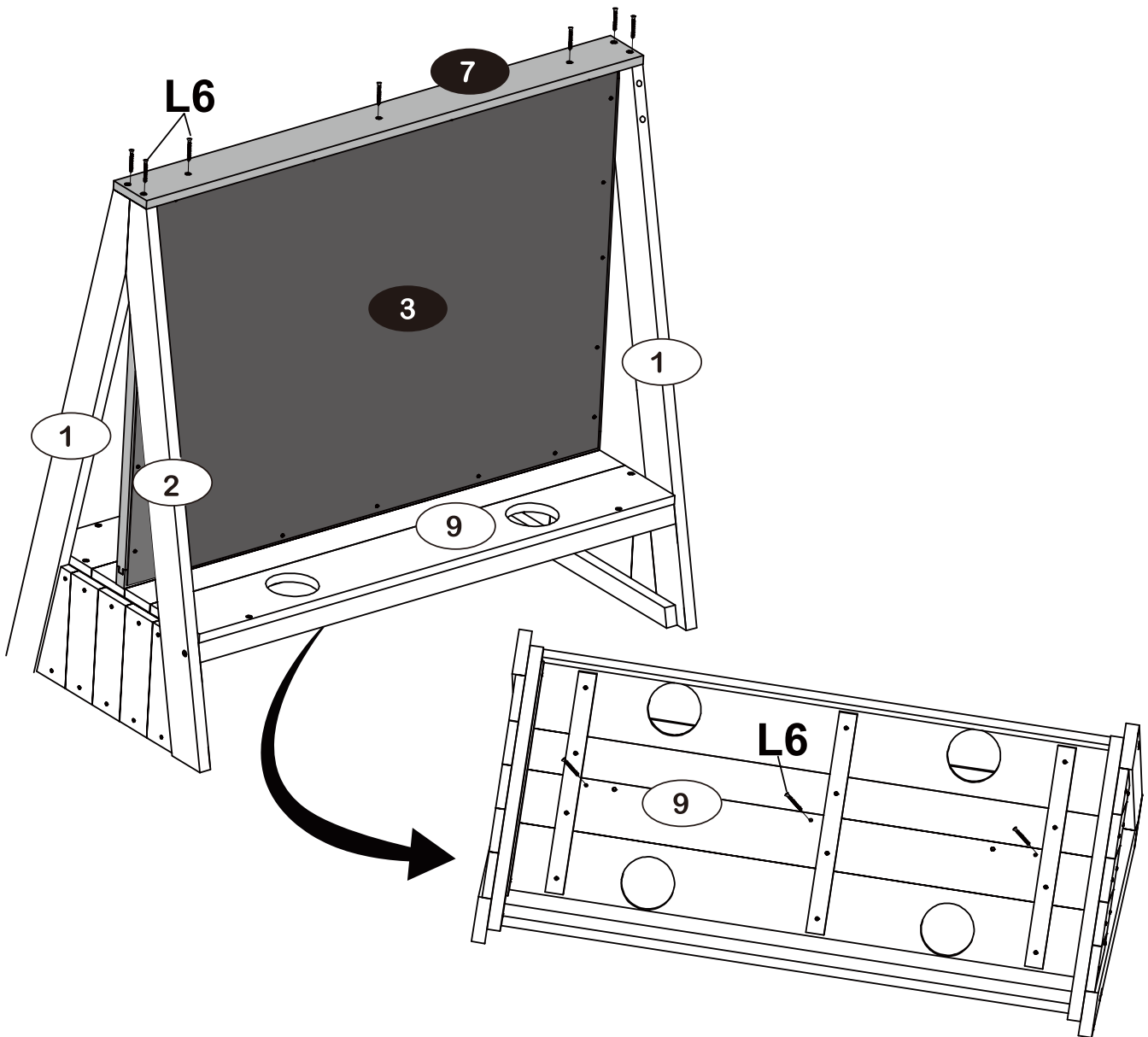


FIGURE 5

# Assembly Instructions

## Step 6

### Wood Boards Needed:

Part No.	Quantity
8	6

### Hardware Needed:

Hardware No.	Quantity
L6	12

➤ Connect #8 to #1 and #2 on both sides using L6 (12pcs).

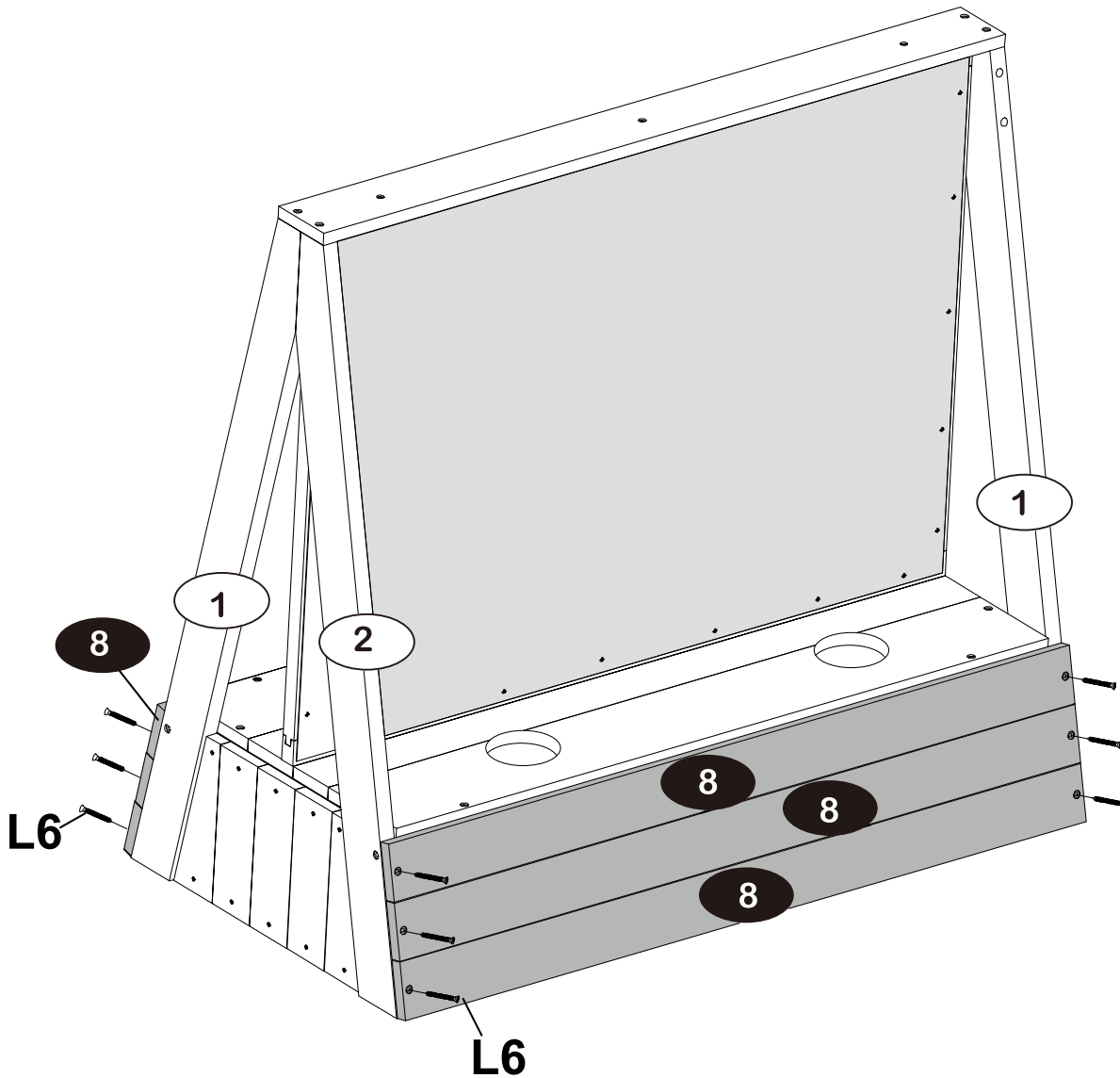


FIGURE 6

# Assembly Instructions

## Step 7

### Hardware Needed:

Hardware No.	Quantity
U69	4

➤ Insert U69 into #9 on both sides.

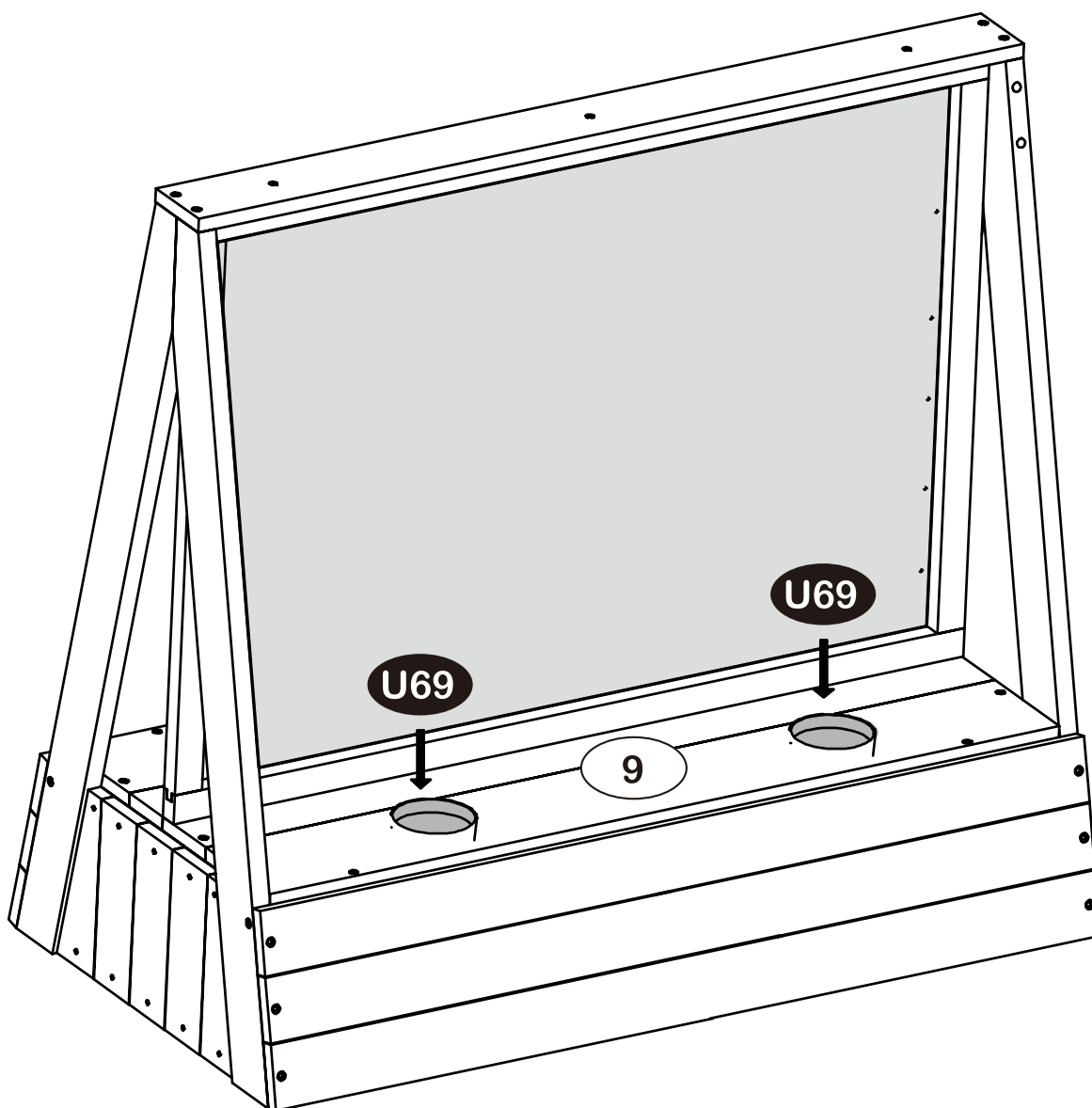


FIGURE 7

## Assembly Instructions

### Step 8

- Congratulations! You have completed installing the outdoor easel. Please go over the entire unit to tighten all the screws. Make sure all parts are properly assembled before allowing children to use.

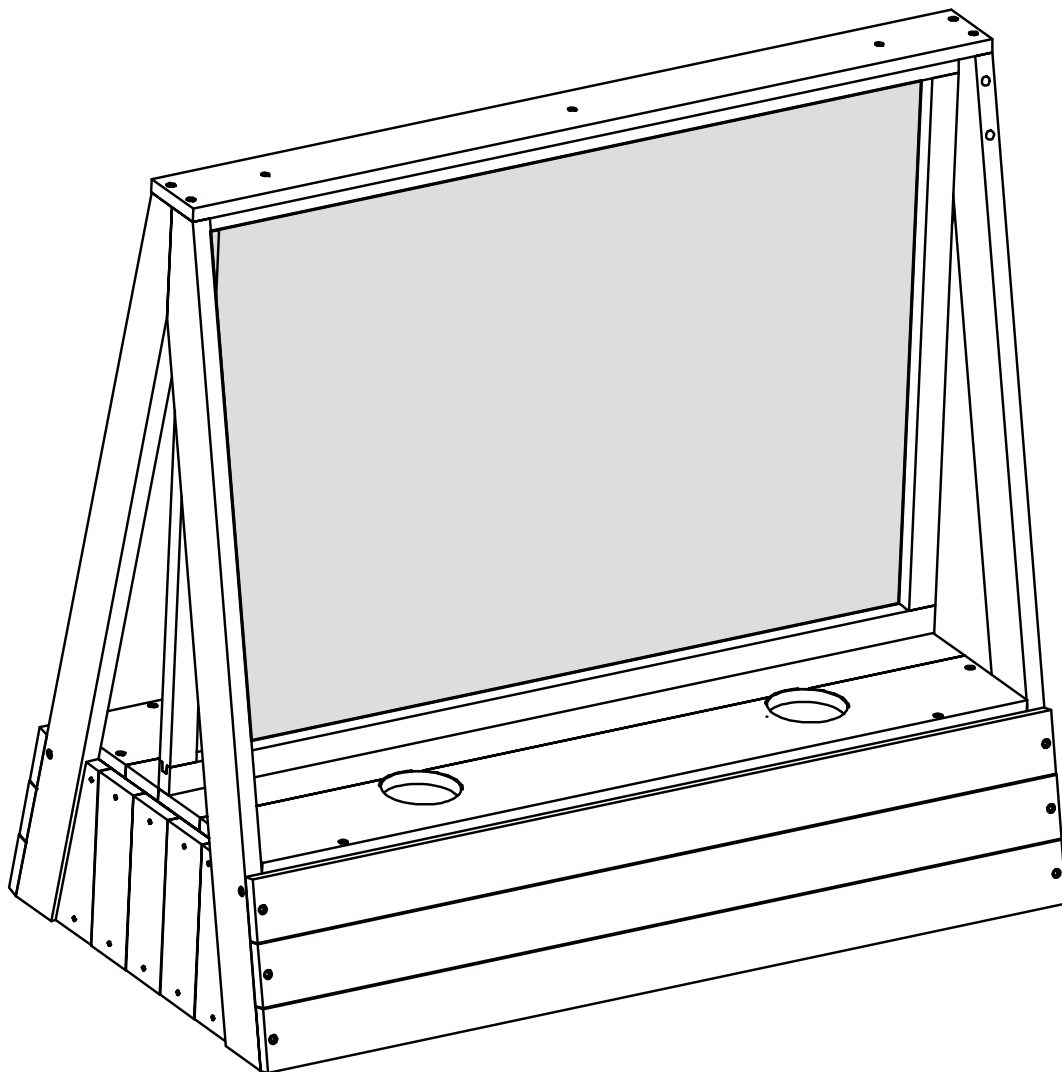


FIGURE 8

## Product Warranty

Sportspower Ltd warrants its products to be free from defects in material and workmanship under normal use and service conditions for 180 days after the date of purchase.

All warranty coverage extends only to the original purchaser of the product and is not assignable or transferable. The original store or online purchase receipt must be kept as proof of purchase in order for the warranty to be valid. These documents must be presented in the event of making a claim under warranty.

During the warranty period, Sportspower will provide repair or replacement of defective equipment or parts thereof covered by the warranty. Any handling, transportation, delivery and other incidental charges in respect of the servicing of the equipment shall be borne by the Purchaser. If the product includes a number of accessories, only the defective part or accessory will be replaced.

The warranty will become void if any defects or damages are associated with the use of unauthorized replacement parts. All replacement parts must be obtained from Sportspower authorized agents.

All decisions made by Sportspower in respect of the servicing of the equipment (including repairs, replacements or issues relating to defects of workmanship or materials) shall be conclusive and the Purchaser agrees to be bound by such decisions. Any defective equipment or part thereof replaced shall become the property of Sportspower.

In the event of a product or accessory being replaced during the guarantee, the guarantee on the replacement will expire at the original date, i.e. 180 days from the original purchase date.

This warranty excludes defects caused by the product not being used in accordance with instructions, accidental damage, misuse or being tampered with by unauthorized persons.

The Sportspower Limited Warranty does not cover:

- (a) Products used for commercial or rental purposes.
- (b) Loss or damage to product due to: (i) abuse, repairs and/or tampering by any person other than the authorized personnel of Sportspower; (ii) negligence and/or misuse (including foreign object, accident, improper storage, exposure to sun/moisture, excessive temperature, sand, dust, dirt, other pollution or other environmental conditions and failure to follow precautions or proper operating instructions stated in the User's Manual such as improper installations); (iii) fire, flood, lightning strike, wind storm or other acts of God; (vi) freight or improper transport damages, and (v) improper usage (including use by under-age, over-weight or excessive number of users permitted as stated in the User's Manual).
- (c) Defects, damages or accidents due to the malfunction, connection to or use of non-Sportspower or unauthorized parts. In such event, Sportspower reserves the right to cancel the Limited Warranty coverage immediately.

To the extent allowed by the applicable local law, the remedies in the Limited Warranty are the Purchaser's sole and exclusive remedies.

## Product Warranty

SPORTSPOWER IS NOT RESPONSIBLE OR LIABLE FOR INDIRECT, SPECIAL OR CONSEQUENTIAL DAMAGES ARISING OUT OF OR IN CONNECTION WITH THE USE OR PERFORMANCE OF THE PRODUCT OR OTHER DAMAGES WITH RESPECT TO ANY ECONOMIC LOSS, LOSS OF PROPERTY, LOSS OF REVENUE OR PROFITS, LOSS OF ENJOYMENT OR USE, COST OF REMOVAL, INSTALLATION OR OTHER CONSEQUENTIAL DAMAGES.

PLEASE NOTE: ANY REPAIRS OR REPLACEMENTS MUST BE MADE USING AUTHORIZED SPORTSPOWER PARTS IN ORDER FOR THIS WARRANTY TO BE VALID.

DO NOT RETURN PRODUCT TO THE STORE. PLEASE CONTACT OUR CUSTOMER SERVICE FOR PARTS OR ASSEMBLY INSTRUCTIONS. STORES ARE NOT EQUIPPED TO PROVIDE CUSTOMER SERVICE FOR THIS PRODUCT.

**DO NOT RETURN PRODUCT TO THE STORE. FOR CUSTOMER SERVICE OR REPLACEMENT**

**PARTS, PLEASE CALL (+44) 0330 0904 420, or email [warranty@sportspower.biz](mailto:warranty@sportspower.biz) or visit**

**[www.sportspowerspares.com](http://www.sportspowerspares.com)**

Sportspower Ltd.  
20/F, PARKVIEW CENTRE, 7 LAU LI STREET, CAUSEWAY BAY, HONG KONG  
[www.sportspowerfit4kids.com](http://www.sportspowerfit4kids.com)

SP-26-WP710R-TVG-20001