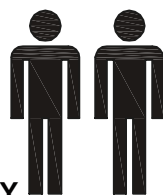


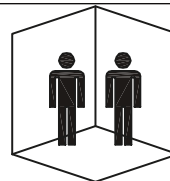
# ASSEMBLY INSTRUCTION

## DESCRIPTION M7TDY MONKEY BAR EXTREME



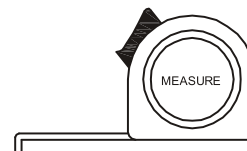
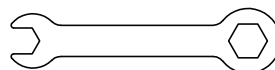
2 PERSON ASSEMBLY

FLOOR AREA  
4.0M X 2.5M X 3.0M



REQUIRED ASSEMBLY SPACE

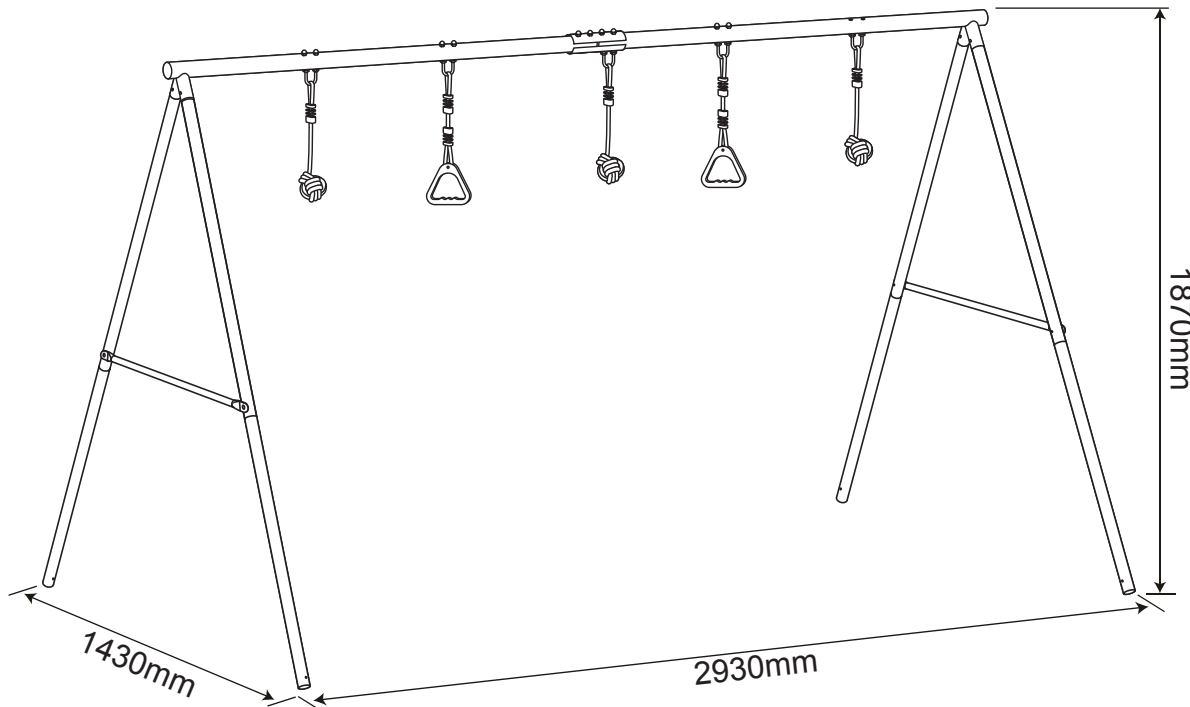
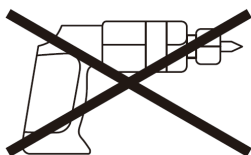
WEIGHT 15 KG, BUILD IN LOCATION



REQUIRED ASSEMBLY TOOLS

ASSEMBLED DIMENSIONS

Use only hand screw driver for mounting fittings/screws as the usage of power drill/driver should damage the unit.



**SPORTSPOWER™**

20/F, Parkview Centre, 7 Lau Li Street, Causeway Bay, Hong Kong.  
After Service Centre (+44) 0330 0904 420, Email [warranty@sportspower.biz](mailto:warranty@sportspower.biz) or visit [www.sportspowerfit4kids.com](http://www.sportspowerfit4kids.com)

## WARNINGS

- We suggest you spend some time reading this guide before following the simple step-by-step assembly instructions.
- Do not discard any of the packaging until you have checked that you have all parts and fittings listed. When discarding packaging take care and consideration for others and the environment.
- When assembling this equipment be aware of the safety of yourself and others.
- Because of the size of this multiplay we suggest that you assemble it in the area intended for use.
- Some of the assembly will be easier with two people. Seek assistance when lifting large or heavy items.
- Assemble this multiplay on a clean, flat and level surface e.g. the cardboard packaging.
- Keep any tools provided or spare fittings for future use. Only use the tools specified.
- Assemble all parts loosely, by hand, before tightening any bolts or fixings.
- we would still suggest storing your multiplay inside or under a suitable cover during winter to help protect against damage and maintain its aesthetic appearance. For details of how to maintain your furniture please see our 'How to....look after your multiplay' section.

BEFORE STARTING ASSEMBLY PLEASE CHECK ALL PARTS ARE INCLUDED, IF ANY PARTS ARE MISSING PLEASE CONTACT THE HELPLINE ON (+44) 0330 0904 420.

# ASSEMBLY INSTRUCTION

## DESCRIPTION M7TDY MONKEY BAR EXTREME

- WARNING! Not suitable for children under 36 months. Small parts/long cord-Strangulation Hazard.
- This unit is designed to be used safely by up to 3 children between the age of 3 to 6. Maximum weight of 45kg each, simultaneously not to exceed a combined weight of 135kg.
- Adult supervision is required at all times. Never leave children unattended.
- WARNING! Only for outdoor use.
- WARNING! Only for domestic use.
- Dress children appropriately while on and around this equipment. DO NOT allow children to wear ponchos, scarves, jewelry, loose shoes, jackets or clothing with loose strings and/or clothing that might be potentially hazardous whilst using this equipment.
- DO NOT let children use this equipment in any manner other than intended.
- DO NOT install over concrete, asphalt, gravel or any other hard surface which may cause injury should a fall occur. Swing set shall be placed over protective soft material such as sand bed, soft woodlark, and grass lawn. The depth of sand and soft woodlark shall be a minimum of 6 inches.
- The anchor shall be placed level with or under the ground in order to reduce tipping hazards.
- DO NOT let children use this equipment until it has been properly assembled and anchored. Place equipment on level ground not less than 2M from any structures or obstacles such as fences, overhanging branches, laundry or electrical lines, garages, sheds or houses.
- Instruct children not to walk closely in front of, behind or in between moving play equipment. Instruct children to keep a safe distance away to avoid being struck by the items in use.
- Instruct children not to twist chains or ropes, or loop them over the support bar. This adds stress, reduces strength and may result in failure and cause injury.
- Instruct children not to get off play equipment whilst in motion.

# ASSEMBLY INSTRUCTION

## DESCRIPTION M7TDY MONKEY BAR EXTREME

- DO NOT allow children to climb or play on the equipment whilst wet (slips or falls may occur).
- After completion of assembly, ensure all hex nuts are tightened and in the correct position.
- DO NOT attach items to the playground equipment that are not specifically designed for use with this equipment, such as, but not limited to, jump ropes, clotheslines, pet leashes, cables and chains as they may cause strangulation hazards.
- At the end of each play season, remove all plastic parts and take indoors. DO NOT allow the use of plastic items when the temperature drops below 0 degrees.
- Dispose of all packaging properly after the unit has been assembled
- Please retain the assembly manual for future reference and review each season.
- Check all nuts and bolts for tightness and tighten when required.
- Check swing seats, chains, and other means of attachments for evidence of deterioration, replace when required in accordance with the manufacturer's instructions.
- This unit must be assembled by adults, ensure bolts and small components are kept out of reach of young children.
- Check all fixings regularly, tighten if necessary, and that the suspension system is secure.
- Check metal sections or components for signs of corrosion.
- Discontinue use if weakening or breakage found.
- Young children in play are unaware of potential dangers and hazards, therefore responsible adults supervision is essential.
- Failure to comply with these precautions may result in injury  
Disassemble and store indoors during the winter.
- Do not attach items to the equipment that are not specifically designed for use with this product. Such as, but not limited to cables skipping ropes and chains as they may cause strangulation hazards.
- Not suitable for hiring or commercial use.
- Never use the equipment in any manner other than intended.

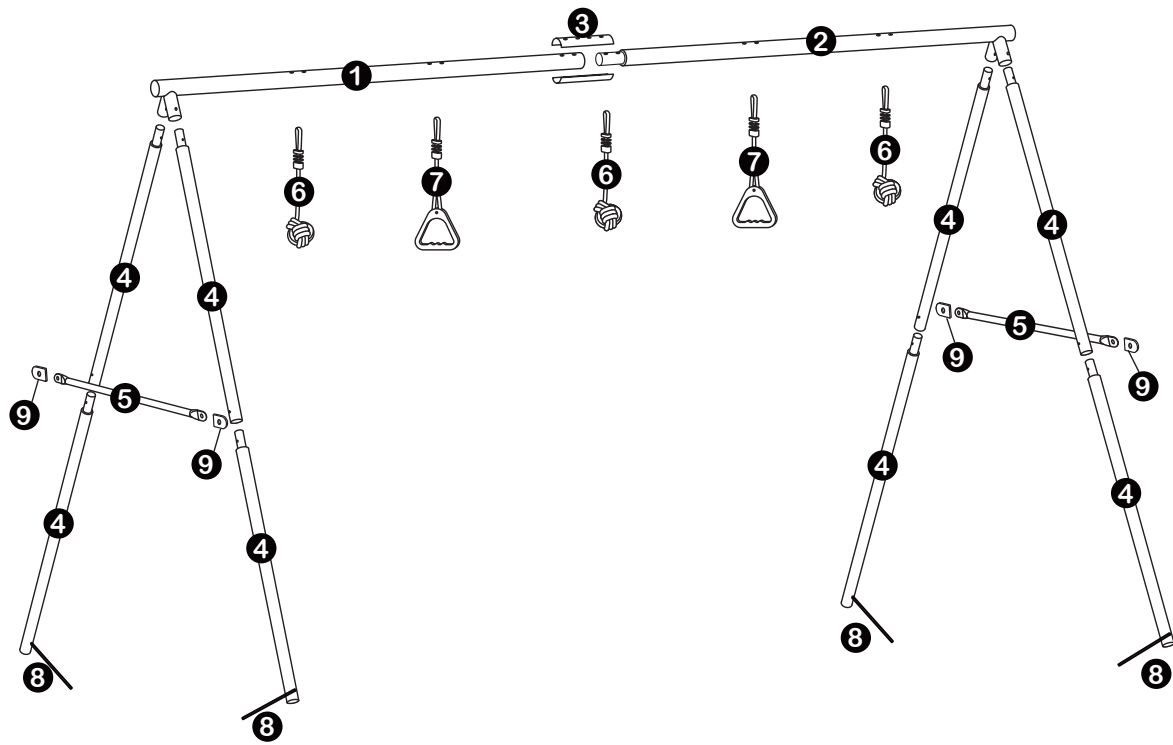
- Shredded bark mulch, wood chips, fine sand or fine gravel are considered to be acceptable shock-absorbing surfaces when installed and maintained at a sufficient depth under and around playground equipment. However each material is only effective when properly maintained. Material should be checked periodically and replenished to maintain correct depth as determined necessary for your equipment. Otherwise serious injuries may occur from a fall.
- Toys shall be accompanied by maintenance instructions drawing attention to the need of carrying out checks and maintenance of the main parts at regular intervals; if these checks are not carried out the toy could overturn and otherwise become a hazard. Whenever practical, the instructions shall also be affixed to the toy.
- Please retain these instructions for future reference.

### TIGHTENING NUTS & BOLTS

- At the start of assembly DO NOT tighten nuts or bolts fully, so as to allow some possible adjustment for ease of assembly.
- After all major components are assembled, go back over all bolts and nuts and properly tighten all of them before using this product.

# ASSEMBLY INSTRUCTION

## DESCRIPTION M7TDY MONKEY BAR EXTREME



# ASSEMBLY INSTRUCTION

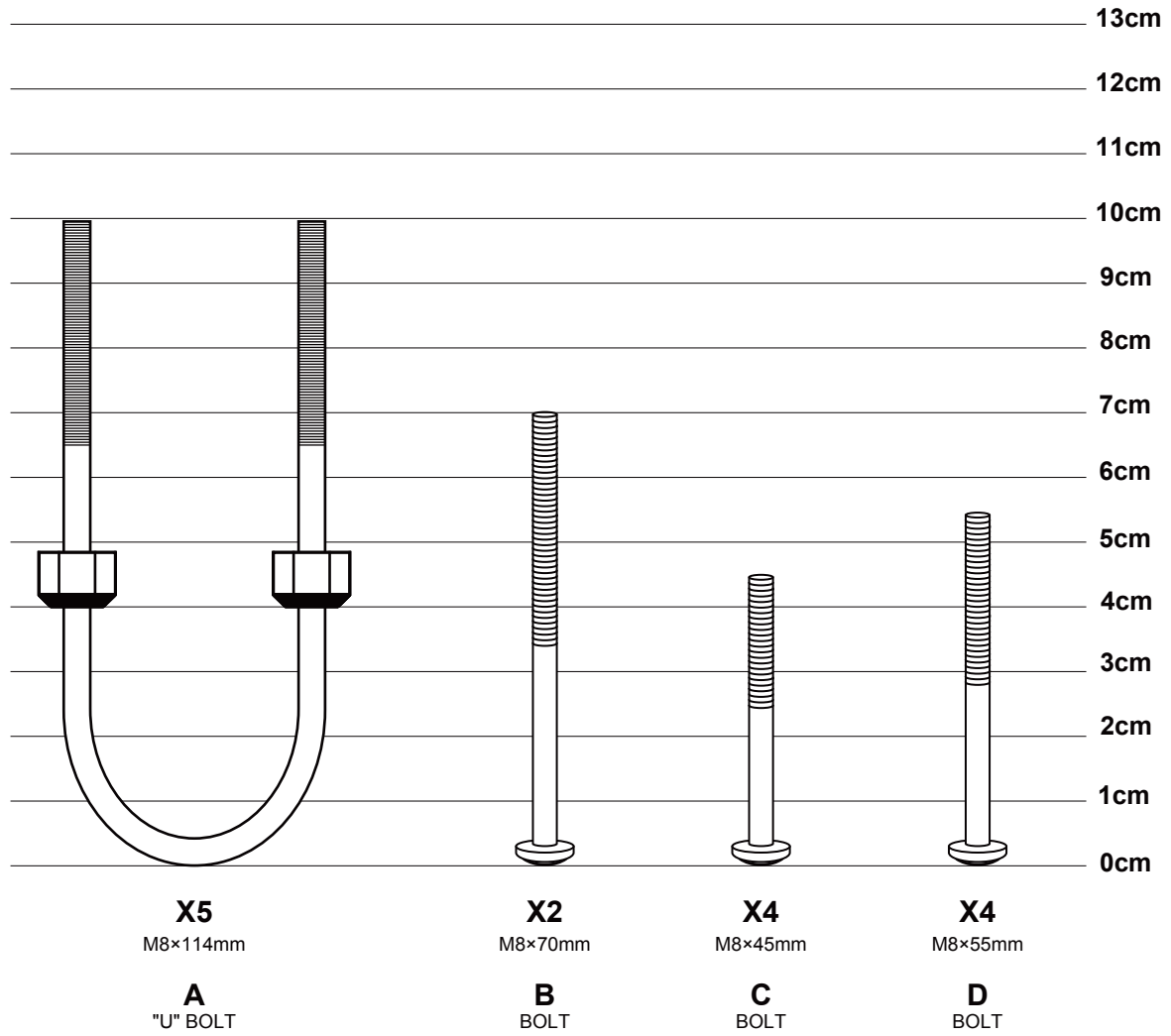
## DESCRIPTION M7TDY MONKEY BAR EXTREME

NO.	PART LIST	QTY
1	TOP SUPPORT BAR	1
2	TOP SUPPORT BAR	1
3	STRENGTHENING PLATE	2
4	LEG	4
5	CROSS BAR	2
6	KNOT	3
7	HANDLE	2
8	ANCHOR	4
9	PLASTIC CAP	4

# ASSEMBLY INSTRUCTION

## DESCRIPTION M7TDY MONKEY BAR EXTREME

### HARDWARE LIST


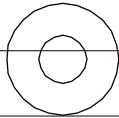
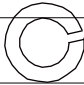
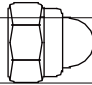




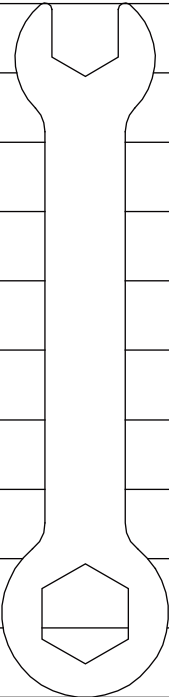
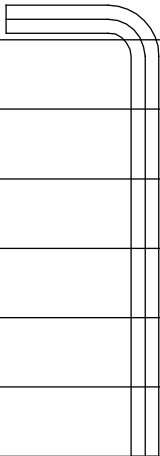
# ASSEMBLY INSTRUCTION

## DESCRIPTION M7TDY MONKEY BAR EXTREME

### HARDWARE LIST

				3cm
				2cm
				1cm
				0cm
<b>X30</b> Φ8.5xΦ19mm <b>E</b> ARC WASHER	<b>X12</b> Φ8.5xΦ19mm <b>F</b> FLAT WASHER	<b>X21</b> Φ8.5 x Φ13.5mm <b>G</b> SPRING WASHER	<b>X21</b> M8 <b>H</b> NUT	

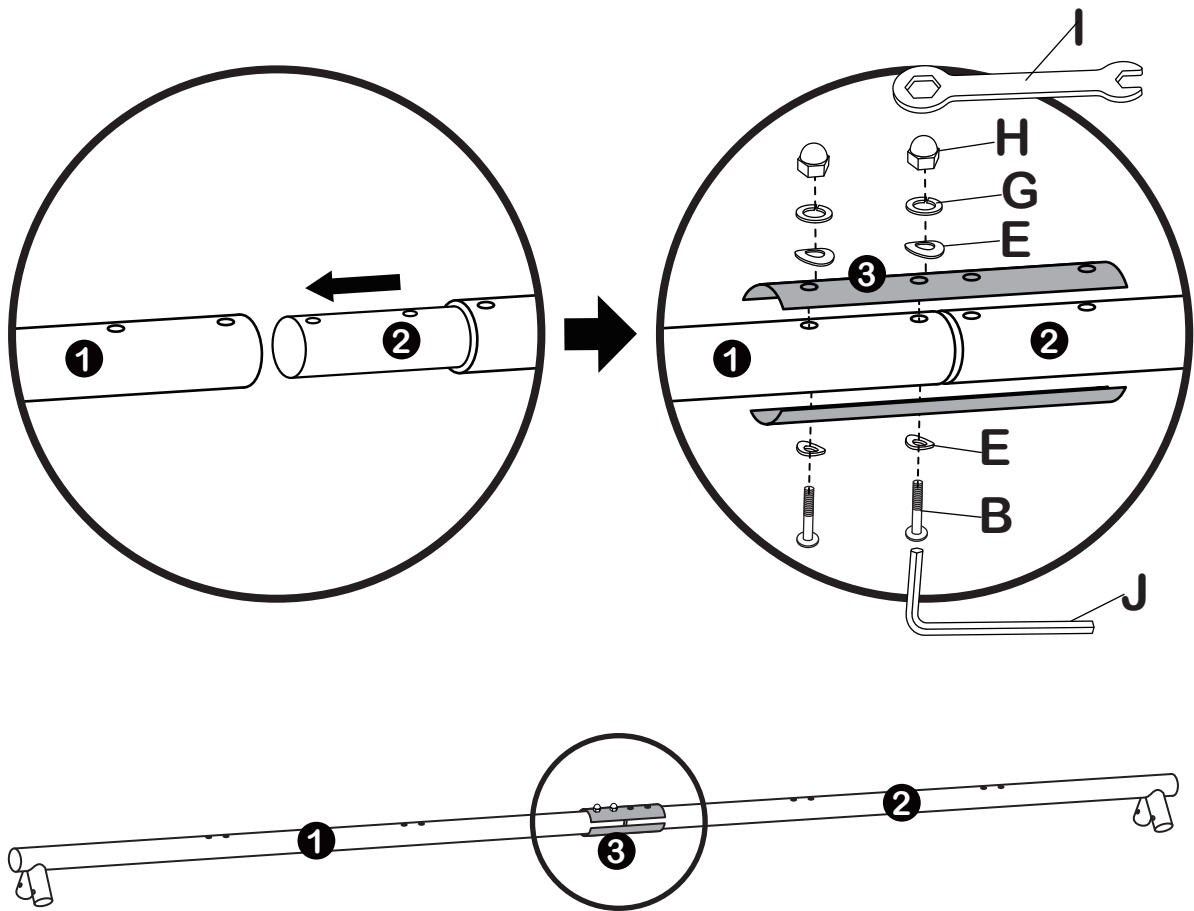
### TOOLS





		10cm
		9cm
		8cm
		7cm
		6cm
		5cm
		4cm
		3cm
		2cm
		1cm
		0cm
		
<b>X1</b> <b>I</b> SPANNER	<b>X1</b> <b>J</b> ALLEN KEY	

# ASSEMBLY INSTRUCTION

## DESCRIPTION M7TDY MONKEY BAR EXTREME

### Step 1

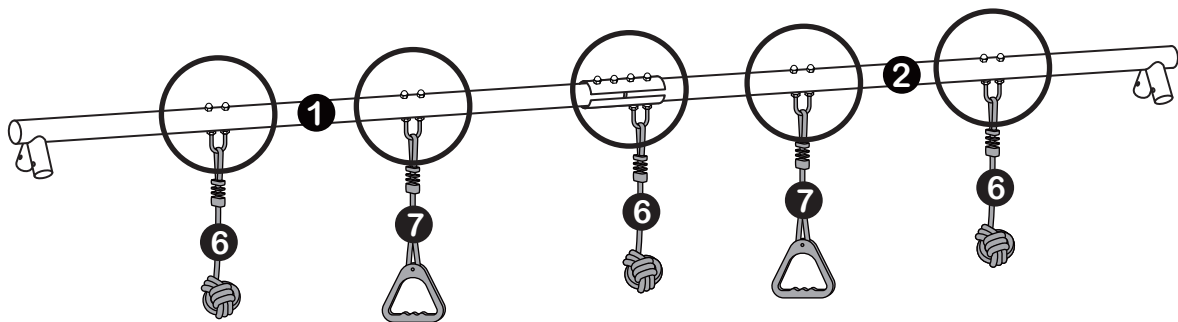
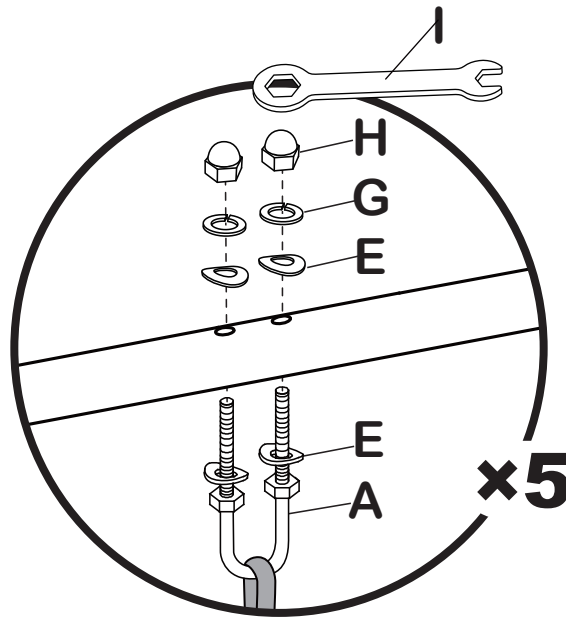


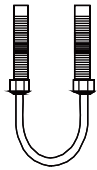



			
B	E	G	H
x 2pcs	x 4pcs	x 2pcs	x 2pcs

# ASSEMBLY INSTRUCTION

## DESCRIPTION M7TDY MONKEY BAR EXTREME

### Step 2

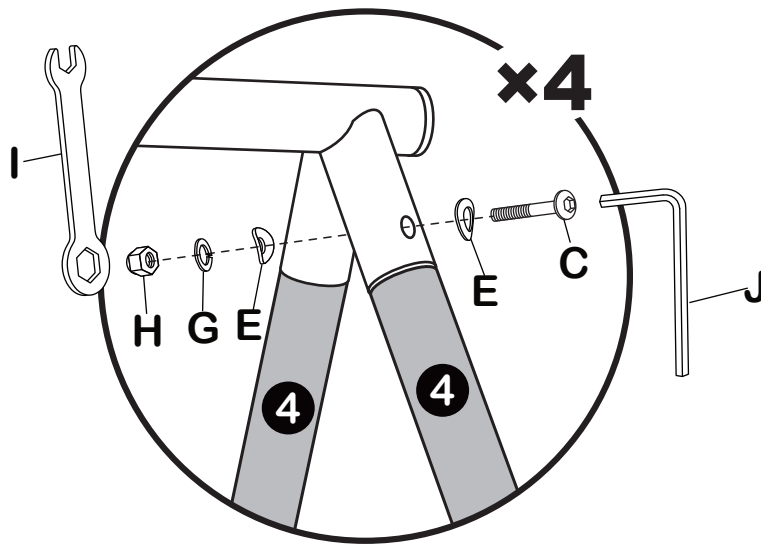
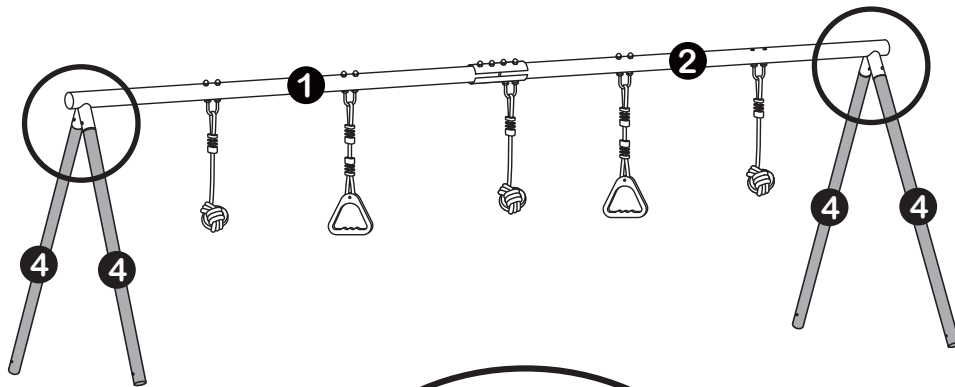






			
A	E	G	H
x 5pcs	x 20pcs	x 10pcs	x 10pcs

# ASSEMBLY INSTRUCTION

## DESCRIPTION M7TDY MONKEY BAR EXTREME

### Step 3

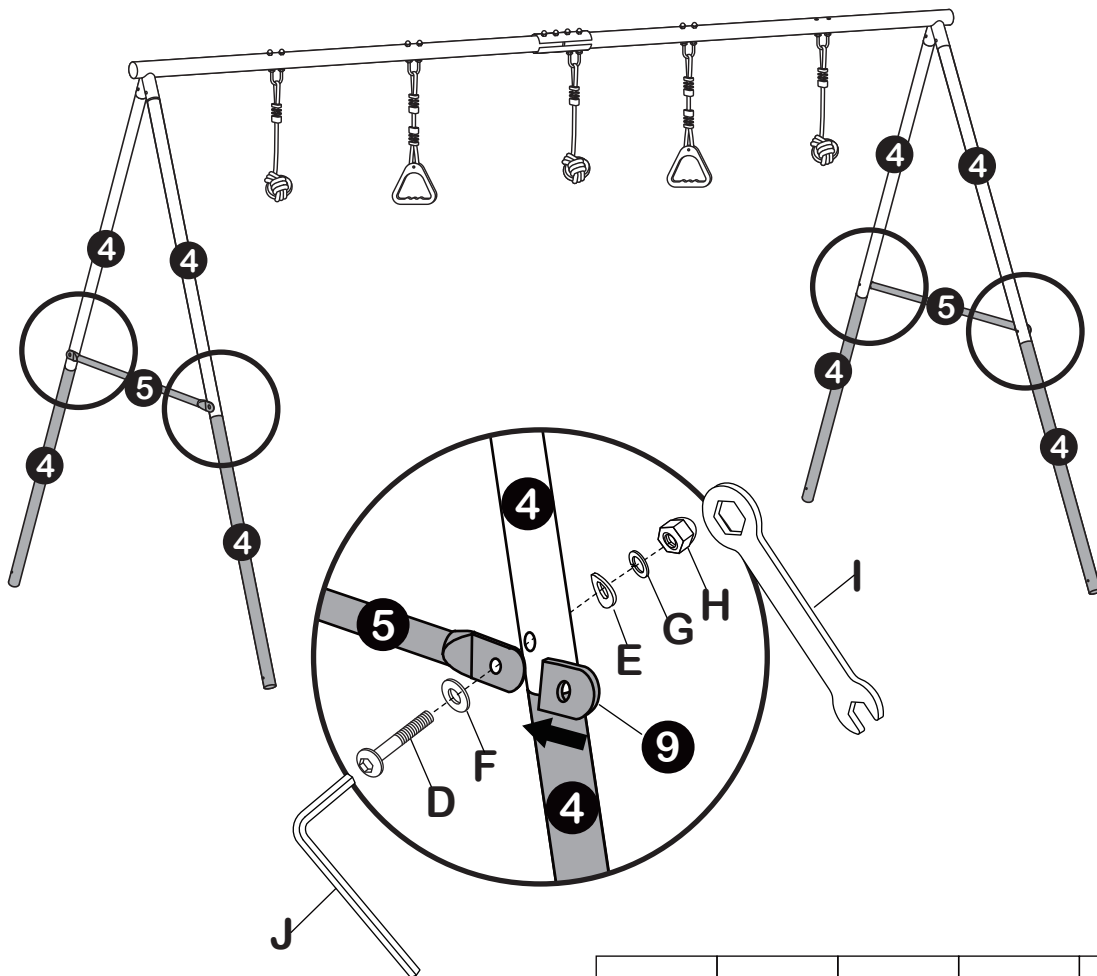


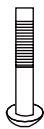


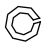

			
C	E	G	H
x 4pcs	x 8pcs	x 4pcs	x 4pcs

# ASSEMBLY INSTRUCTION

## DESCRIPTION M7TDY MONKEY BAR EXTREME

### Step 4

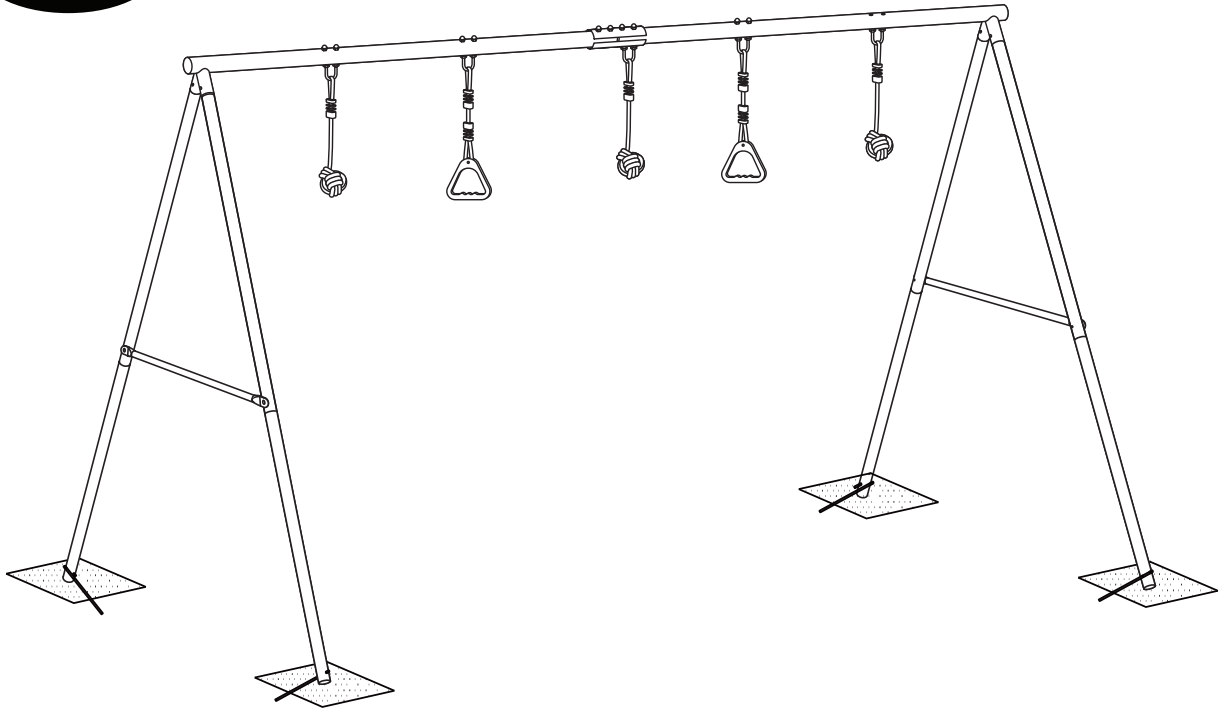


				
D	F	E	G	H
x 4pcs	x 4pcs	x 4pcs	x 4pcs	x 4pcs

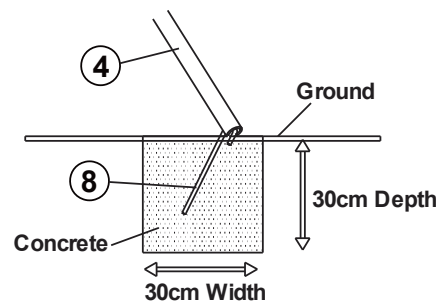
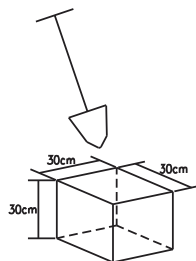
# ASSEMBLY INSTRUCTION

## DESCRIPTION M7TDY MONKEY BAR EXTREME

### Step 5



**IMPORTANT:** The product must be anchored into the ground. For optimum safety and performance, we recommend concreting in the corners as shown in the diagram.



SP-06-SW5R001-TVG-21001FY

**SPORTSPOWER™**

20/F, Parkview Centre, 7 Lau Li Street, Causeway Bay, Hong Kong.  
After Service Centre (+44) 0330 0904 420, Email [warranty@sportspower.biz](mailto:warranty@sportspower.biz) or  
visit [www.sportspowerfit4kids.com](http://www.sportspowerfit4kids.com)