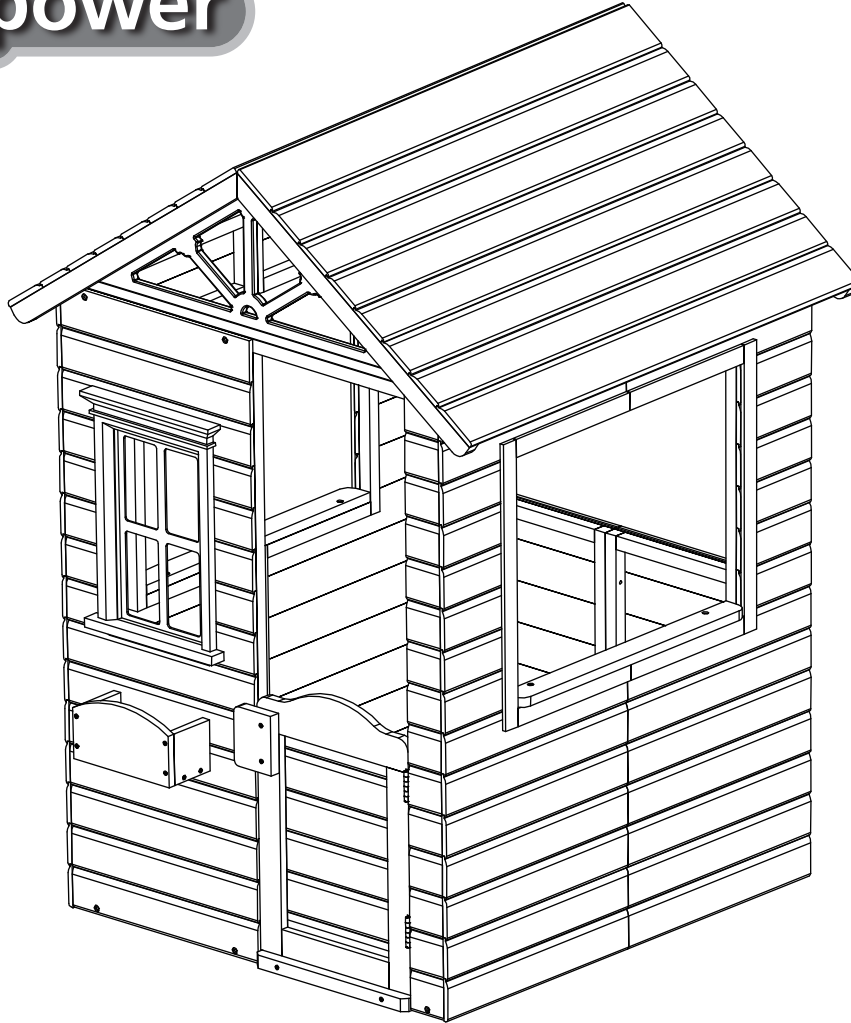


PERSONALISED WOODEN PLAYHOUSE

Assembly & User Instructions - Please keep for future reference

sportspower



Important

Limit:

Age: 3 - 10 years

Maximum user: 2

Warning: Only for domestic use

Warning: Only for outdoor use

**Tips: It will take 2 adults
around 60 minutes to
assemble.**

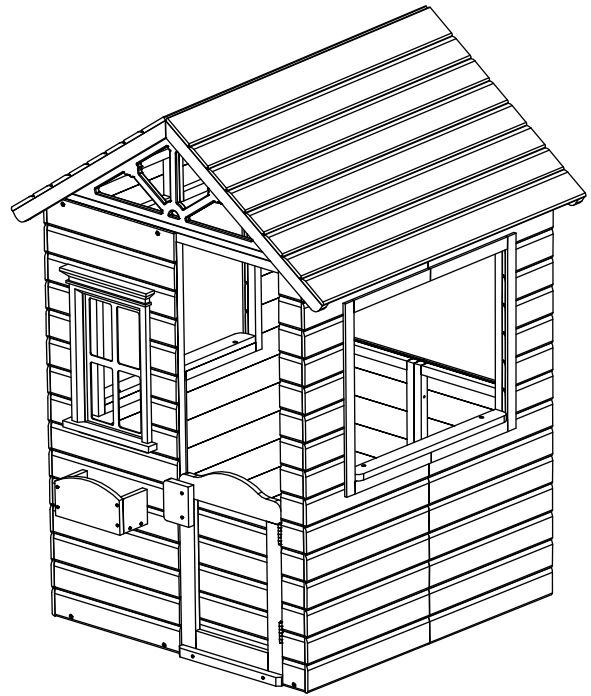
Important - Please read these instructions fully before assembly or use.

These instructions contain important information which will help you get the best from your product and ensure safe and correct assembly, use and maintenance.

If you need help or have damaged or missing parts, call the **Customer Helpline: (+44) 0330 0904 420**

Contents

Safety Information	2-3
Parts	4-6
Assembly Instructions	7-11
Care and Maintenance	12





Safety Information

Important –Please read these instructions thoroughly before assembly or use.

BEFORE YOU BEGIN: Carefully read all instructions in this manual before assembling and using this product. The unit must be assembled by adults. Heavy duty working gloves should be worn to avoid injuries during assembly.

WARNING

READ ALL INSTRUCTIONS BEFORE ASSEMBLING OR USING THIS EQUIPMENT

- This product is intended for use by children ages 3-10 years.
- On-site adult supervision is required at all times for children of all ages.
- Do not allow use by children with any physical condition that may affect his/her ability to use this equipment safely.
- Children must NOT play with this set until it is properly assembled and inspected by an adult.
- Do not allow children to climb on or jump off the play house.
- Maximum 2 children inside playhouse at a time.
- DO NOT allow children under three years old nearby during assembly. Small parts may cause choking hazard.

Failure to follow these important requirements may result in the warranty being voided and/or serious injury. Please supervise your children carefully during the installation and assembly of the product.

Please also pay close attention to the periodic maintenance that is required to keep your set in a safe condition for maximum enjoyment of backyard fun!

- **Hardware:**
Inspect all nuts and bolts and tighten if required. Hardware should be firmly against, but not crushing the wood. Over-tightening hardware crushes wood fibers and can split wooden components resulting in the bolt thread extending beyond the wood. This poses a severe safety hazard. If bolt threads protrude beyond the wood surface, replace the bolt with a shorter one that will not protrude. If splintering has occurred from over-tightening, larger washers can be purchased at your local hardware store and installed under the bolt head. Be sure to reuse or replace your lock washers.
- **Major Wooden Parts:**
Inspect for structural defects and splintering. If necessary, lightly sand and refinish with an exterior water repellent stain. Seasonal checking or cracking of the grain on wooden parts is quite natural, water and heat are the most frequent causes of expansion and contraction of wood fibers. Our wood set has been treated with stain to resist weathering. But it needs to be maintained periodically by applying new stain or paint.



Safety Information

Important –Please read these instructions thoroughly before assembly or use.

BEFORE YOU BEGIN ASSEMBLY:

- Take a complete inventory of components using the parts list.
- Sort and lay out the wood pieces. Label each piece of wood for easy reference. For easy identification during the assembly process, write the board's letter on masking tape and adhere to each piece of the wood. Some wooden components may twist or warp in the carton after packaging. Usually, these parts straighten out when assembled. You may also see some cracking of the grain. This is normal.
- Sort all hardware according to size. Do not worry if extra hardware is included.

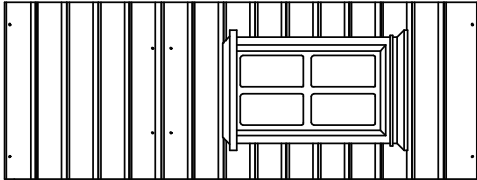
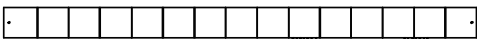
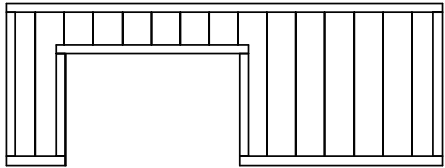
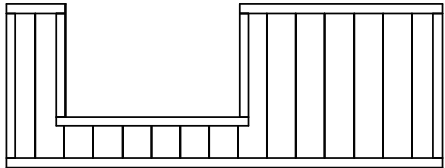
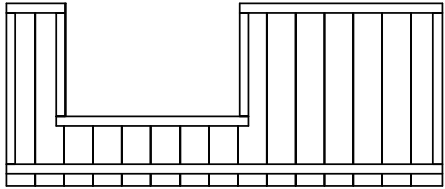
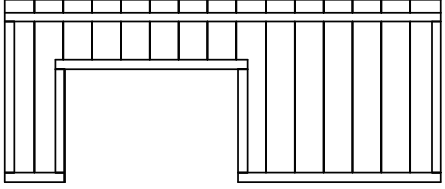
FIND A SAFE PLAY LOCATION.

- You **MUST** install the product on level ground. Uneven ground must be leveled prior to installation. The manufacturer cannot assume responsibility for any failure from incorrect installation. Installing on sloping ground will put stress on all the joints, which will cause the set to become loose and unstable.
- Find a location where the equipment can be placed more than 2 meters from any structure or obstruction (ex: electrical wires, branches, house, fence, garage). The safe play area refers to a zone extending 2 meters beyond the gym set on all sides, including the space above the play set.
- The safe play area must be free of all structures, landscaping, trees and branches, rocks, wires and other obstacles to safe play. Children can be seriously injured running into these obstacles.
- Remove any rocks or any jagged or sharp object that could endanger your children's safety.
- Remove all tripping hazards from the safe play area. Tripping hazards include but are not limited to: roots, stumps, rocks, landscaping, sprinkler heads, railroad ties, plumbing, and electrical connections.
- Do **NOT** install your play set over gravel, asphalt, packed earth or any other hard surface.

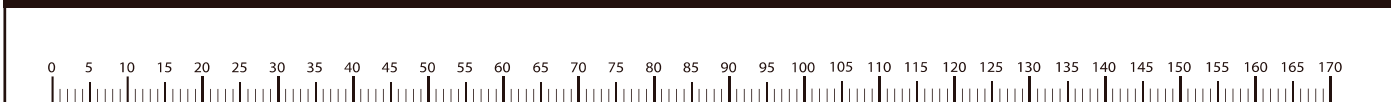
Parts

If you have damaged or missing parts,
call the **Customer Helpline: (+44) 0330 0904 420**

Please check you have all the parts listed below

NO.	PICTURE	QTY
AZ1		1
AZ2		1
AZ3		1
AZ4		1
AZ5		2
AZ6		2

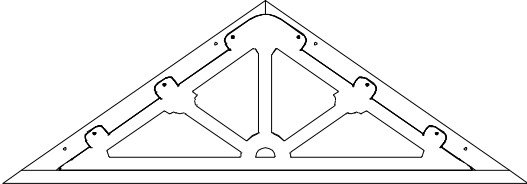
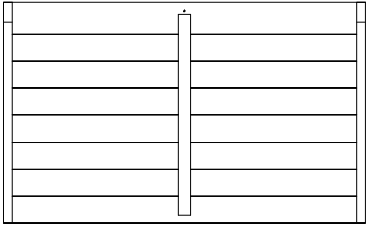

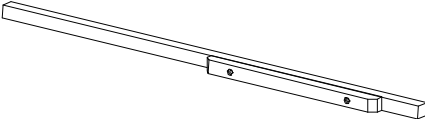
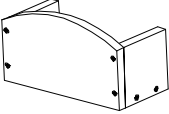
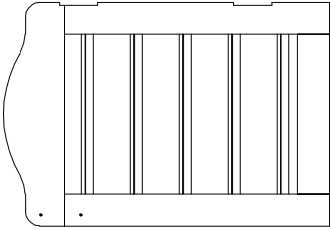

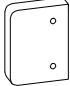
Ruler - Use this ruler to help correctly identify the bolts/screws



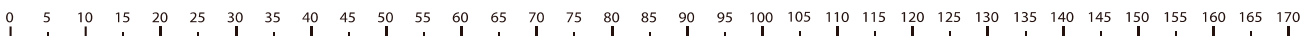
Parts

If you have damaged or missing parts,
call the **Customer Helpline: (+44) 0330 0904 420**

Please check you have all the parts listed below

NO.	PICTURE	QTY
AZ7		2
AZ8		2
AZ9		2
AZ10		1
AZ11		1
AZ12		1
AZ13		1
AZ14		1

Ruler - Use this ruler to help correctly identify the bolts/screws

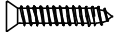
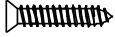
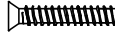
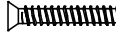
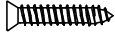



Parts

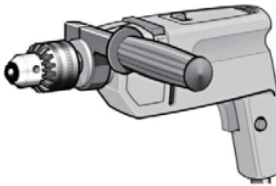
If you have damaged or missing parts,
call the **Customer Helpline: (+44) 0330 0904 420**

Please check you have all the parts listed below

Note: The quantities below are the correct amount to complete the assembly. In some cases more fittings may be supplied than are required.

L4  ×6 (M3.8×25mm)	L5  ×12 (M3.8×28mm)	L6  ×6 (M3.8×35mm)	L11  ×29 (M3.8×40mm)
L15  ×4 (M3.0×18mm)	5  Allen Wrench		

REQUIRED ASSEMBLY TOOLS (NOT INCLUDED)



Electric Drill



Phillips Head Screwdriver



Ladder or Step Tool



Phillips Head Screwdriver



Working Gloves

Ruler - Use this ruler to help correctly identify the bolts/screws

0 5 10 15 20 25 30 35 40 45 50 55 60 65 70 75 80 85 90 95 100 105 110 115 120 125 130 135 140 145 150 155 160 165 170

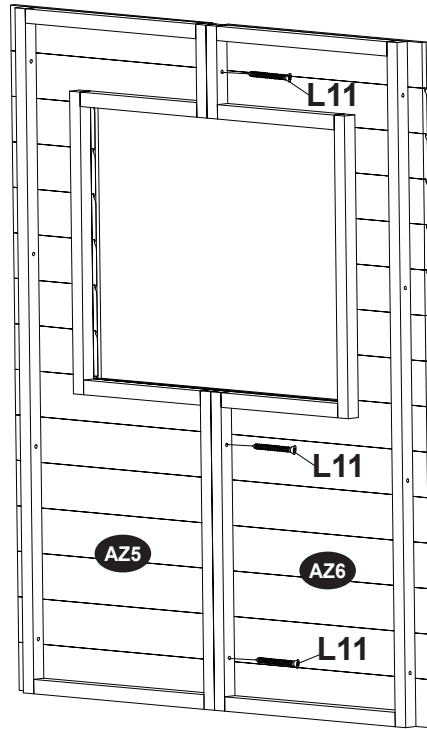
Assembly Instructions

Step 1

- Connect AZ6 to AZ5 using L11(6pcs) as shown in Figure 1.

Part No	Quantity
AZ5	2
AZ6	2

Hardware No	Quantity
L11	6



X2

FIGURE 1

Step 2

- Connect AZ3 to AZ4 using L11(3pcs) as shown in Figure 2.

Part No	Quantity
AZ3	1
AZ4	1

Hardware No	Quantity
L11	3

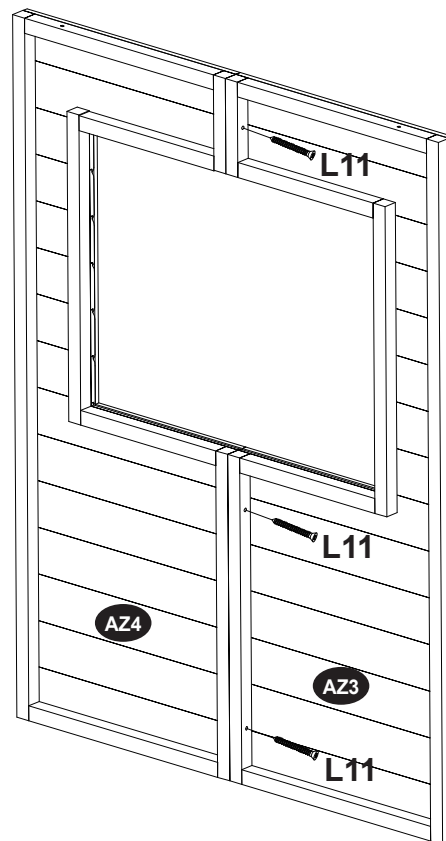


FIGURE 2

Assembly Instructions

Step 3

- Connect AZ6 to AZ4 using L11(4pcs) from inside.
- Connect AZ5 to AZ3 using L11(4pcs) from inside as shown in Figure 3.

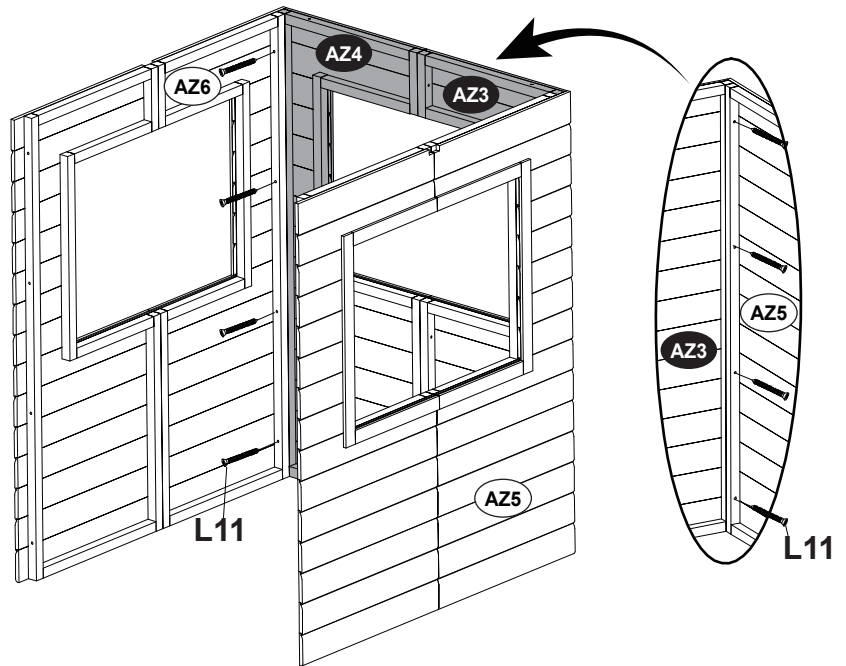


FIGURE 3

Hardware No	Quantity
L11	8

Step 4

- Connect AZ13 to AZ1 and AZ2 using L4(3pcs).

Note: Hole on AZ13 must face upwards.

- Connect AZ10 to AZ1 and AZ2 using L4(3pcs).

Note: Spacing between AZ1 to AZ2 should be 32.1cm as shown in Figure 4.

Part No	Quantity
AZ13	1
AZ10	1
AZ1	1
AZ2	1

Hardware No	Quantity
L4	6

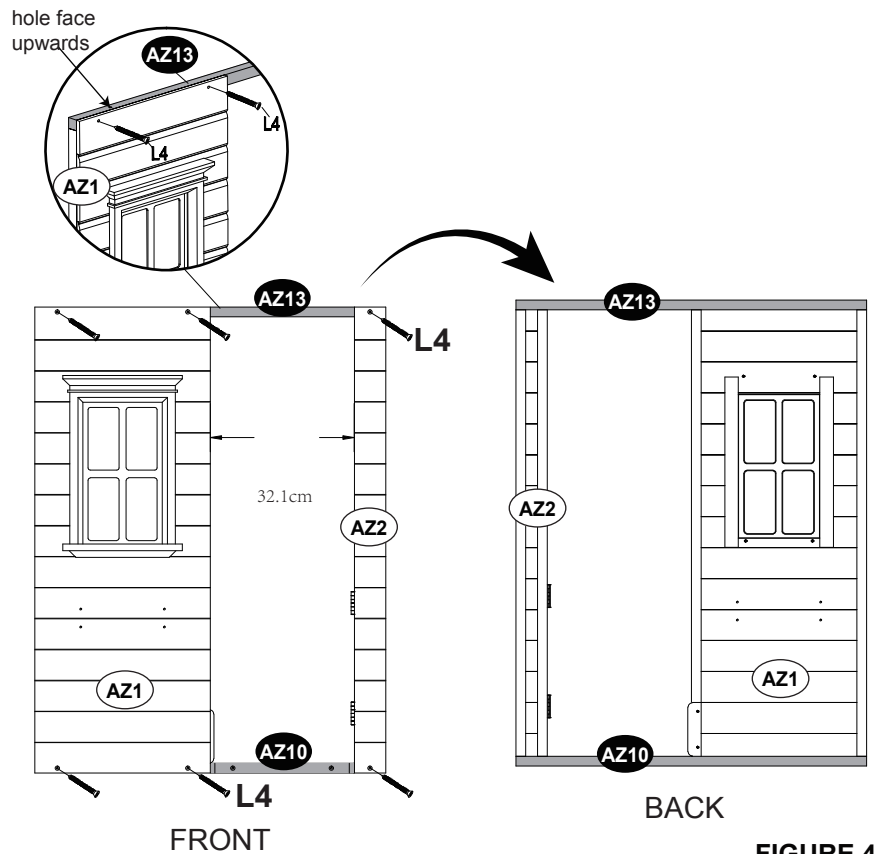


FIGURE 4

Assembly Instructions

Step 5

- Connect AZ14 to AZ12 using L6 (2pcs).
- Connect AZ12 to AZ2 using L15 (4pcs) as shown in Figure 5.

Note: Make sure AZ12 and AZ2 are properly aligned.

Part No	Quantity
AZ12	1
AZ14	1

Hardware No	Quantity
L15	4
L6	2

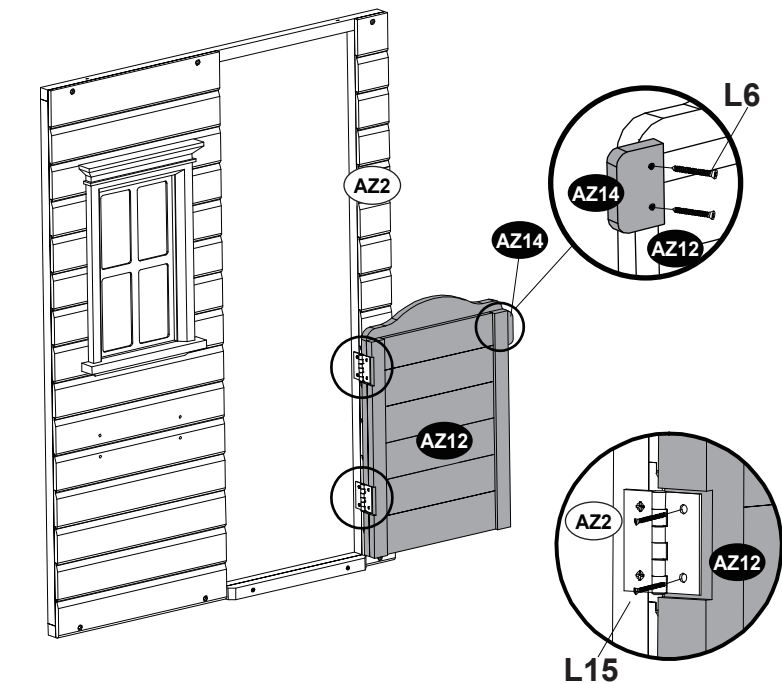


FIGURE 5

Step 6

- Connect the frames assembled in steps 3 and 5 to form the playhouse from inside playhouse.
- Connect AZ5 to AZ1 using L11(4pcs).
- Connect AZ6 to AZ2 using L11(4pcs).
- Connect AZ11 to AZ1 using L6(4pcs) as shown in Figure 6.

Part No	Quantity
AZ11	1

Hardware No	Quantity
L6	4
L11	8

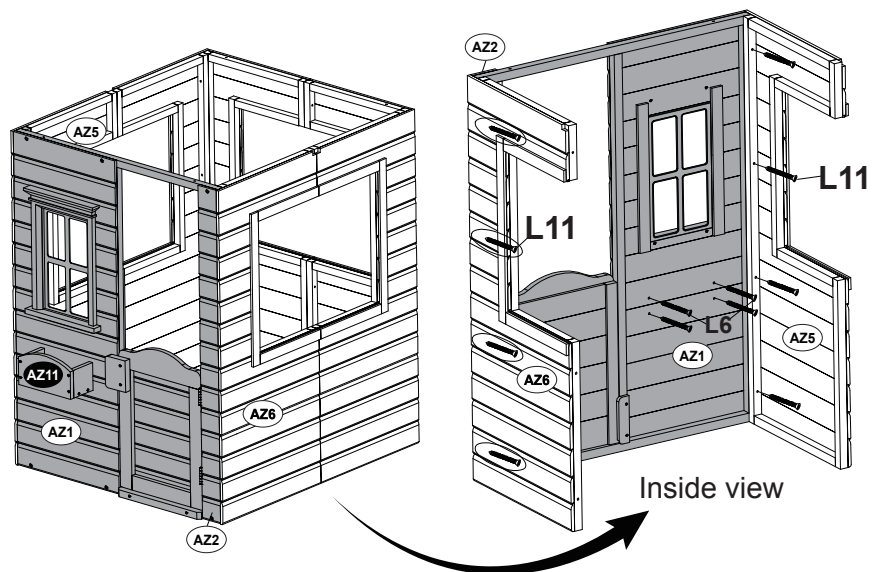


FIGURE 6

Assembly Instructions

Step 7

- Connect AZ7 to AZ4 and AZ3 using L11 (2pcs).
- Connect AZ7 to AZ13 using L11(2pcs) as shown in Figure 7.

Part No	Quantity
AZ7	2

Hardware No	Quantity
L11	4

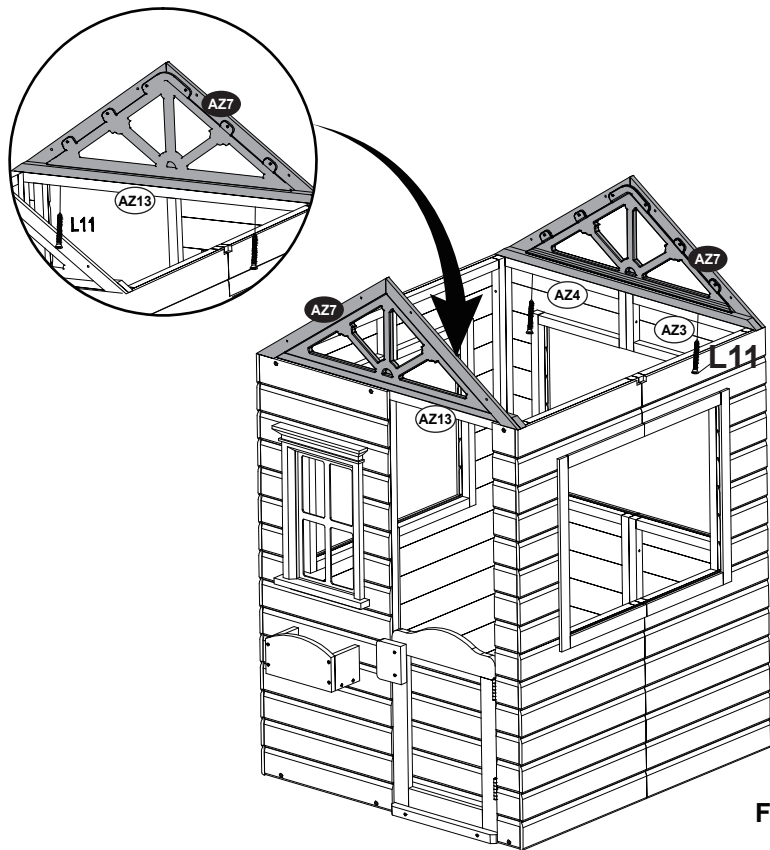


FIGURE 7

Step 8

- Connect AZ9 to AZ5 and AZ6 using L5 (4pcs) as shown in Figure 8.

Part No	Quantity
AZ9	2

Hardware No	Quantity
L5	4

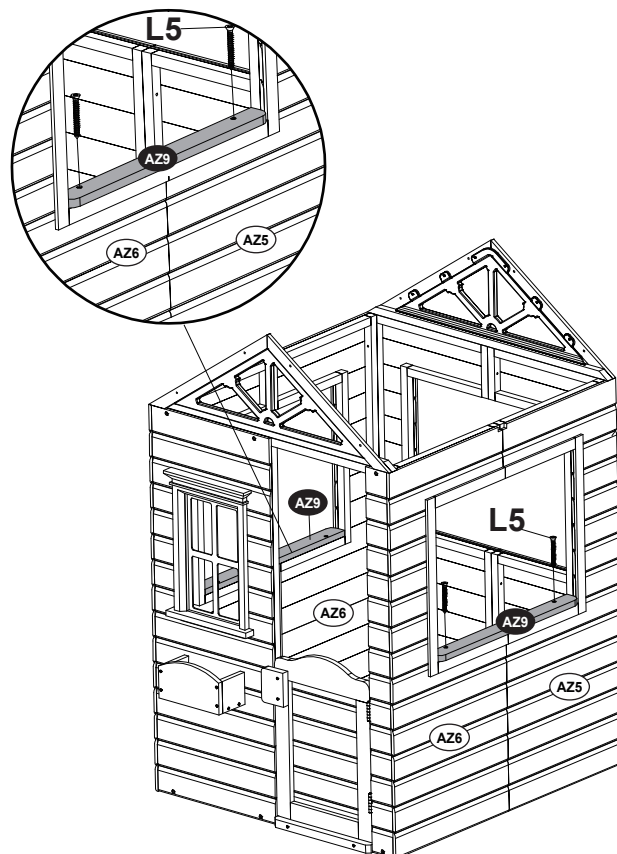


FIGURE 8

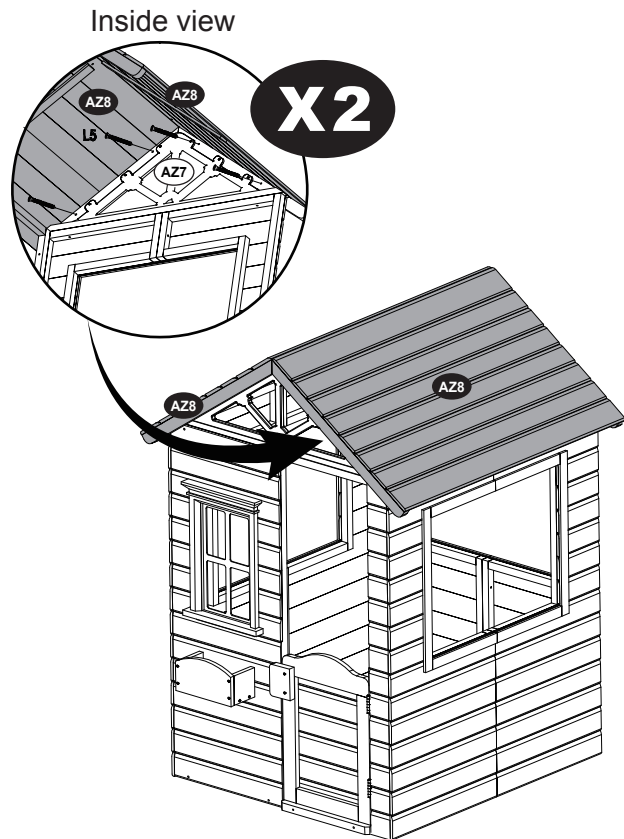
Assembly Instructions

Step 9

- Connect AZ8 to AZ7 using L5(8pcs) as shown in Figure 9.

Part No	Quantity
AZ8	2

Hardware No	Quantity
L5	8



Step 10

Congratulations! You have completed installing the playhouse. Please go over the entire unit to tighten all the screws. Make sure all parts are properly assembled before allowing children to use.

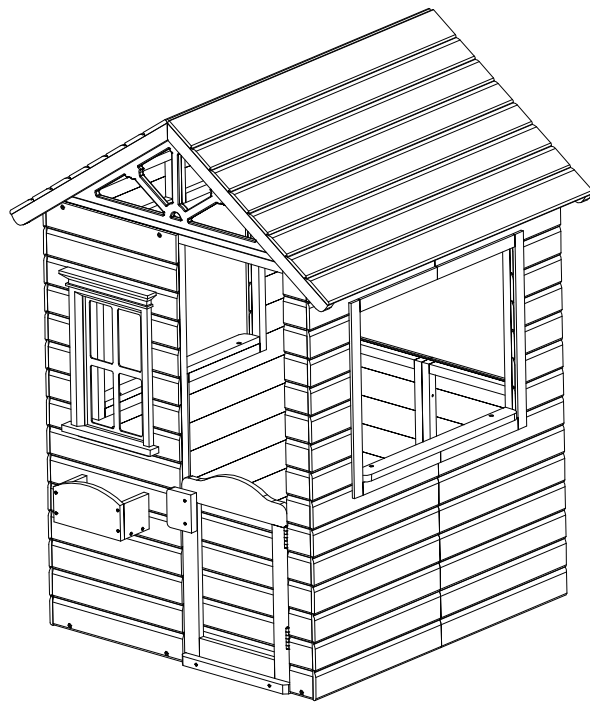


FIGURE 10

Care and Maintenance

General

This Wooden Playhouse was designed and manufactured with quality materials and craftsmanship.

If correct care and maintenance is provided, it will provide users with years of exercise, fun and enjoyment.

Inspect regularly for:

What to Inspect:

Hardware:

Inspect all screws and tighten if required. Hardware should be firmly against, but not crushing the wood. Over-tightening hardware crushes wood fibers and can split wooden components resulting in the screw thread extending beyond the wood. This poses a severe safety hazard. If screw threads protrude beyond the wood surface, replace the screw with a shorter one that will not protrude. If splintering has occurred from over-tightening, larger washers can be purchased at your local hardware store and installed under the screw head.

Major Wooden Parts:

Inspect for structural defects and splintering. If necessary, lightly sand and refinish with an exterior water repellent stain. Seasonal cracking of the grain on wooden parts is quite natural. Water and heat are the most frequent causes of expansion and contraction of wood fibers. Our wood set has been treated with stain to resist weathering, but it needs to be maintained periodically by applying new stain or paint.

Inspect for structural defects and splintering. If necessary, lightly sand and refinish with a clear water repellent, exterior sealant or boiled linseed oil. Do NOT paint, varnish or finish rungs with any substance that may reduce your child's ability to firmly grasp or step on the rungs.

Play Area

Inspect to assure that the play house has settled properly and the location of the set is still level.

CARE AND MAINTENANCE INSTRUCTION

- Please carry out checks and maintenance of the main parts before each use. If these checks are not carried out the product could overture or otherwise become a hazard. It is of particular importance that they be followed at the beginning of each season as well as at regular intervals during the usage season.
- Check all nuts and bolts for tightness and tighten when required; Check all coverings for bolt and sharp edges and replace when required; Replace when required in accordance with the manufacture's instructions.
- Do not use when temperature drop below 32 degree F.(0 degree C).



Importer's name Retail Marketing Service GmbH
Importer's address Besselstr. 25 68219 Mannheim Germany
Importer's name Geemac Sales & Marketing Ltd
Importer's address 4 Summerhouse Place, Summerhouse Road, Moulton Park Industrial Estate
Northampton, United Kingdom, NN3 6GL.

WARNING!

For outdoor use only. To be played in an open area with adult supervision. This product is designed to be used safely by up to 2 children. For family domestic use only. As an extra precaution, check this product regularly for signs of wear or damage. Packaging materials are not toys. Please remove all packaging and packing tags/wires before allowing children to use. Maintenance to be carried out under the direct supervision of a responsible adult. Colour, designs and decorations may vary from those shown in the photographs.



WARNING! Not suitable for children under 3 years due to small parts, choking hazard.