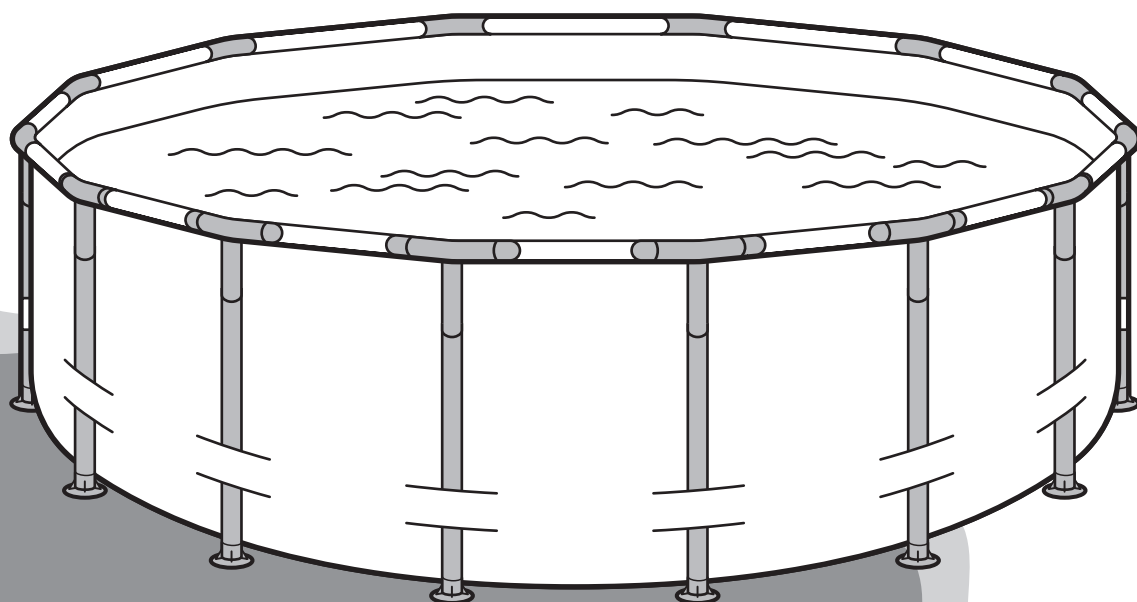


FunSicle®

Activity Pool

All the essentials for outdoor play & swim



User Guide

Simple steps to setting up and enjoying your pool

Contents

Welcome!	3
Warranty Information	3
Safety Guidelines	4
Location Requirements	4
Warnings	4
Pool Safety Sign	10
Pool Ladder Safety	10
Pool Cover Safety	11
Building Your Pool	12
Inside Your Product Box	12
STEP 1: Prepare the site	13
STEP 2: Assemble the pool frame and connect it to liner	14
STEP 3: Add 1 inch of water to pool	18
STEP 4: Install the fittings for filter pump and then install filtration system	18
Filling Your Pool	19
Draining & Dismantling Your Pool	20
Maintaining Your Pool	21
Storage	21
Repair	21
Winterizing	22
Parts List	23

Welcome!

Congratulations on your new Funsicle Activity Pool – all the essentials for outdoor play & swim. This guide will walk you through everything from setting up to maintaining and enjoying your pool.

Warranty Information

This Funsicle Activity Pool is subject to the following warranty, with warranty service provided by Polygroup Pacific Limited (hereinafter "Polygroup").

Limited Warranty

Polygroup is pleased to offer this warranty for the repair or replacement of Above Ground Pools for one (1) year from the date of purchase. The provisions of this Limited Warranty only apply to the original purchaser and who purchased from an authorized Polygroup seller. Please keep your original store sales receipt. This proof of purchase will be required and must accompany warranty claims to Polygroup or its designated agents. This Limited Warranty will not apply to modified or repaired products, unless authorized by Polygroup in writing; or to products in which non-Polygroup parts or accessories were substituted; or use of the product in contravention of the product's instructions; or when improper voltage was used; or if the product was abused, or harmed through accident or negligence. This Limited Warranty does not cover consequential damages, including, but not limited to, claims for loss of water, pool chemicals, or labor time or costs, normal wear-and-tear; nor to acts of God, nor to damage to any other products or property.

In no event shall Polygroup, its authorized agents, related entities, or employees be liable to the buyer or any other party for direct or consequential damages. This limitation, in part or in full, may not apply to you, if the jurisdiction in which the claim arose does not allow this limitation.

This Limited Warranty is not extended to close-outs, factory seconds, or resold products, such as garage sales or auctions, or purchases from non-authorized sellers of Polygroup products. This Warranty also does not apply to online vendors or any other sellers who did not purchase the products from a Polygroup company, whether the product has been used or not prior to being sold to you. Any issues with items purchased from these types of vendors/sellers will need to be addressed directly with them.

Safety Guidelines

IMPORTANT SAFETY INSTRUCTIONS

When installing and using this product, basic safety precautions should always be followed, including the following:

READ AND FOLLOW ALL INSTRUCTIONS

Failure to follow these warnings and instructions can result in serious injury or death.

Location Requirements



- Set up the pool only on level, flat, stable, and compact soil.
- Remove sharp objects from the ground that may puncture the pool (e.g. hardy grasses, stones, loose nails, twigs, etc.)
- Do not set up the pool on sand or concrete surfaces.
- Excessive sand inside the pool will damage the pool liner and filtration system.

Failure to follow these instructions will void the warranty.

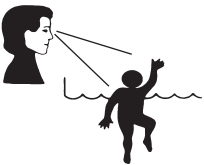
NOTICE: Customers who purchase pools may be required by local or state law to incur additional expenses when installing a pool, in order to comply with state or local laws regarding fencing and other safety requirements. Customers should contact their local building code enforcement office for further details. Polygroup is not responsible for any additional expenses that you may incur.

Warnings

⚠ WARNING

PREVENT DROWNING!

Watch children at all times. Follow all safety rules.



NO DIVING! NO JUMPING!

Shallow Water - You can be permanently injured.



DO NOT SIT ON OR LAY OVER POOL WALL

You can be permanently injured.



AVOID ENTRAPMENT!

Stay away from suction fittings. You may drown.



Please read carefully and keep for future reference

Carefully read, understand, and follow all information in this user manual before installing and using the swimming pool. These warnings, instructions, and safety guidelines address some common risks of water recreation, but they cannot cover all risks and dangers in all cases. Always use caution, common sense, and good judgment when enjoying any water activity.

NON-SWIMMERS SAFETY

- Continuous, active, and vigilant supervision of weak swimmers and non-swimmers by a competent adult is required at all times (remembering that children under 5 years old are at the highest risk of drowning);
- Designate a competent adult to supervise the pool each time it is being used;
- Weak swimmers or non-swimmers should wear personal protective equipment (PPE) when using the pool;
- When the pool is not in use, or unsupervised, remove all toys from the swimming pool and its surrounding to avoid attracting children to the pool.
- When the pool is not in use, remove all toys and other objects from its surroundings, including those that could be used by a child to facilitate access into the pool (such as chairs, big toys, etc.).

SAFETY DEVICES

- It is recommended to install a barrier (and secure all doors and windows, where applicable) to prevent unauthorised access to the swimming pool;
- Barriers, pool covers, pool alarms, or similar safety devices are helpful aids, but they are not substitutes for continuous and competent adult supervision.

SAFETY EQUIPMENT

- It is recommended to keep rescue equipment (e.g. a ring buoy) by the pool;
- Keep a working phone and a list of emergency phone numbers near the pool.

SAFE USE OF POOL

- Encourage all users especially children to learn how to swim;
- Learn Basic Life Support (Cardiopulmonary Resuscitation - CPR) and refresh this knowledge regularly. This can make a life-saving difference in the event of an emergency;
- Instruct all pool users, including children, what to do in case of an emergency;
- Never dive into any shallow body of water. This can lead to serious injuries or death;
- Do not use the swimming pool when using alcohol or medication that may impair your ability to safely use the pool;
- When pool covers are used, remove them completely from the water surface before entering the pool;
- Protect pool occupants from water-related illnesses by keeping the pool water treated and practising good hygiene. Consult the water treatment guidelines in the user's manual;

- Store chemicals (e.g. water treatment, cleaning or disinfection products) out of the reach of children;
- Removable ladders shall be placed on a horizontal surface (if applicable).
- Find an appropriate location to prevent the hazard of drowning of young children, install the pool in a place where it is possible for the supervision to be constant.
- Replace water regularly according to the manufacturer's recommendations, as well as based on the water's hygiene conditions, cleanliness, clarity, odor, and if any debris or stains are present in the pool. Use of chemicals in a pool without water circulation may result in an individual coming in direct contact with the chemicals, such as in areas of the pool with a high chemical concentration, resulting in injury to the user.
- If chemicals are occasionally used to reduce the frequency of water replacement, follow the chemical manufacturer's instructions closely (make sure to never use more than the recommended amounts stated), and ensure chemicals are mixed appropriately to avoid personal injuries. Store chemicals out of reach of children.
- The use and installation of any electrical appliances around the pool should be in accordance with national regulations.
- Remove any means of access to and from the pool and store them out of reach of children whenever the pool is not in use.
- Use of accessories not approved by the pool manufacturer (including but not limited to ladders, covers, pumps, etc.) may result in personal injury and/or property damage.
- Irrespective of materials used for swimming pool construction, accessible surfaces have to be checked regularly to avoid personal injury.

LADDER (IF APPLICABLE)

- Check all nuts and bolts for tightness and tighten when required (if applicable).
- Maximum allowable weight: 150 kg (330 lbs).
- Ladder shall not be used for other purposes.

SAFETY CARE FOR CHILDREN

- Assign an adult to be responsible for watching children in the pool.
- Pool presents a drowning hazard even during filling and draining of the pool. Maintain constant supervision of children and do not remove any safety barriers until the pool is completely empty and stowed away.
- Children, especially younger than five years old, are at high risk of drowning. Drowning occurs silently and quickly and can occur in as little as 5 cm (2") of water.
- Keep children in your direct sight, stay close, and actively supervise them when they are in or near this pool and when you are filling and emptying this pool.
- When searching for a missing child, check the pool first, even if child is thought to be in the house.
- Do not leave toys inside the pool when finished using, since toys and similar items might attract a child to the pool. Position furniture (e.g. tables, chairs) away from pool, so that children cannot climb on it to gain access to the pool. After using pool, remove water to a level of 1 cm (0.5") or less.
- Locate pumps and filters in such a way that children cannot climb on them and gain access to the pool.

SWIMMING POOL AWARENESS

- Assembled by adults only; care should be taken when unpacking and assembling the pool; this pool may contain accessible potentially hazardous sharp edges or points that are necessary for the pool.
- The floor of the pool shall be visible at all times from the outside perimeter of the pool.
- Never allow horseplay, diving, or jumping into or around the pool. Serious injury, paralysis, or death could result when this rule is disregarded. DO NOT ALLOW anyone to swim alone without supervision.

NOTE: This pool has a maximum water fill level marked on the inside wall. Do not overfill; drain to proper level.

EMPTYING POOL: Push down on side wall and/or lift up one side of pool to empty pool water.

NOTE:

- Pool can be cleaned with mild soap and lukewarm water only.
- Make sure pool is completely dry before storing to help prevent mildew from forming.
- Store all parts in a dry heated area where temperatures do not go below 0°C (32°F).

WARNING

TO AVOID DANGER OF SUFFOCATION: Keep the plastic bag used in this product away from babies and children; do not use the bag in cribs, beds, carriage, or playpens. The plastic bag could block nose and mouth and prevent breathing. The plastic bag is not a toy.

- Only for domestic use.
- Place the product on a level surface at least 2 m (79") from any structure or obstruction such as a fence, garage, house, overhanging branches, laundry lines or electrical wires.
- One person needed to install the product.
- Installation time is around 15 to 45 minutes (excluding earthworks and filling).
- Prohibit running and lively games around the swimming pool.
- Always maintain clear, healthy water.
- Do not leave the drained pool outside. The empty pool is liable to become deformed and/or displaced due to wind.
- For outdoor use only.
- Never leave your child unattended – drowning hazard.
- Children can drown in very small amounts of water. Empty the pool when not in use.
- Do not install the paddling pool over concrete, asphalt or any other hard surface.
- Do not modify this product and/or use any parts and accessories not supplied by the manufacturer.

DIVING RISK

Do not dive into this pool. Diving into shallow water can result in a broken neck, paralysis, or death.

ELECTROCUTION RISK

- Keep all electrical lines, radios, speakers, and other electrical appliances away from the pool.
- Do not place pool near or under overhead electrical lines.

SPECIAL WARNING

- Local building codes may require obtaining a building or electrical permit. Users should follow regulations on setback, barriers, devices, and other conditions.
- DO NOT attempt to assemble this pool in extreme weather conditions, windy conditions, or when the temperature is below 16°C (60°F).
- This is a storable pool, which should be disassembled and stored when temperatures are expected to fall below 0°C (32°F).
- For filtration, the safety instructions shall indicate that the pool must not be used when the filtration system(s) is/are damaged (if applicable).

Ensure that you have an accessible telephone close to the pool so that you do not have to leave your children unattended while you phone. In the event of an accident:

- Remove the child from the water as quickly as possible;
- Immediately call the emergency services and follow the instructions they give you;
- Replace wet clothing with warm blankets;
- Memorise emergency phone numbers and display them near the swimming pool:
 - a. Fire brigade;
 - b. Emergency medical service;
 - c. Poison control centre.

As the pool owner, you are responsible for those persons who use your pool. Therefore:

- Never leave your children and other non-swimmers unattended in and around the pool;
- Ensure that the water is hygienically clean;
- Refresh your knowledge of first-aid measures at regular intervals;
- Store water treatment media out of the reach of children;
- Discuss the rules of conduct with your children prior to them using the swimming pool and explain the risks that can arise when around water once they are of a sufficient age;
- Contact your pool installer if you have any questions regarding safe use of the swimming pool.

The following items of equipment can provide additional pool safety. Your swimming pool specialist can advise you on:

- Safety cover;
- Fencing around the pool with a lockable gate;
- Pool alarm system;
- Enclosure.

The general safety information cannot account for all circumstances in individual cases. You are best aware of the swimming abilities and the conduct of your children and of other guests using your pool, as well as the site particulars. You should therefore employ further measures to ensure safety at the pool if necessary. Such measures may for example include additional supervisory persons if the pool is being used by a number of non-swimmers at the same time.

POOL MAINTENANCE

- Empty pool completely after each use and store the empty pool in such a way that it does not collect water from rain or any other source.
- After using pool, remove water to a level of 1 cm (0.5") or less.
- Carrying out checks and maintenance of the main parts every hour.
- These checks are not carried out the product could overturn or otherwise become a hazard.
- Check all nuts and bolts for tightness and tighten when required (if applicable).
- Check all coverings for bolts and sharp edges and replace when required (if applicable).
- Replace defective parts in accordance with the manufacturer's instructions.
- Change the water of product frequently (particularly in hot weather) or when noticeably contaminated.

Pool Safety Sign

Post This Warning Near Your Pool.

WARNING

NO DIVING OR JUMPING SHALLOW WATER

TO AVOID PERMANENT INJURY OR DEATH

- Watch children closely at all times.
- Be vigilant: Think safety and act safely at all times in and around water.
- No running or horseplay in and around pool; no jumping or diving into pool.
- Do not use pool when using alcohol or drugs.
- Do not use or allow glass in and around pool.

ALL POOL USERS, ESPECIALLY CHILDREN MUST LEARN AND FOLLOW THESE SAFETY RULES TO AVOID HAZARDS IN AND AROUND WATER.

Pool Ladder Safety

WARNING

Always Remove and Securely Store the Ladder When the Pool Is Not In Use



Easy Steps To Remove the Pool Ladder:

1. Standing at the side of the ladder, grip at or near the top steps with both hands.
2. Tilt the ladder towards you. Once the ladder legs are above the pool wall, drag or lift the ladder out of the water.
3. Place the ladder on the ground.
4. Securely store the ladder away from the pool to prevent children using it to access the pool without supervision.

Pool Cover Safety

If you are going to use a pool cover, solar cover, or solar blanket, please read this information.

POOL COVER WARNING / SOLAR COVER WARNING / SOLAR BLANKET WARNING

WARNING:

AVOID DROWNING RISK

- Stay off cover – Will not support weight.
- Keep children away from cover. Children or objects cannot be seen under cover.
- Remove standing water. Child can drown on top of cover.
- Remove cover(s) completely before entry of bathers – Entrapment possible.
- Non-secured or improperly secured covers are a hazard.
- Failure to follow all instructions may result in injury or drowning.
- Pool cover (if included) is not a safety cover.
- Install pool cover with labels facing up.
- Use drawstring to secure pool cover to pool (if applicable).

NEVER LEAVE YOUNG CHILDREN UNATTENDED IN OR AROUND POOL COVER.

**This cover (if included) meets requirements described in specification ASTM F-1346.
Type OC cover classification.**

IMPORTANT: Do not use a pool cover, solar cover, or solar blanket on this pool if it does not have this type of warning label on the cover.

DANGER: Competent supervision and knowledge of the safety requirements are the only ways to prevent drowning or permanent injury in the use of this product! Never leave young children unattended.

Building Your Pool

Inside Your Product Box

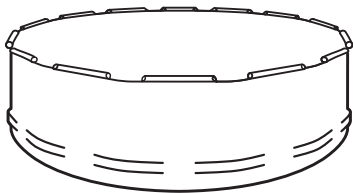
The following illustration outlines the contents in your product box.

Items 3 – 6 are optional depending on the pool model you purchased.

For exact quantity of parts, refer to the Parts List (on Page 23).

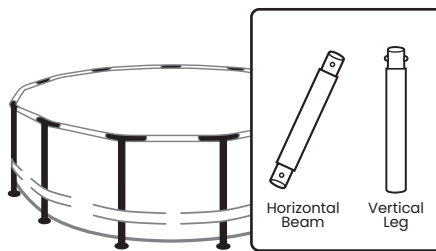
NOTE: For smaller pools (8'x26", 8'x30", 10'x30", 10'x36", 12x30" & 12x33"), metal frame and T-Fitting parts are packed in one box - number ②.

①



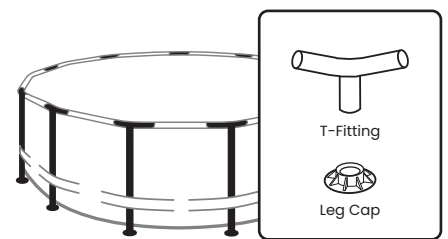
Pool Liner

②a



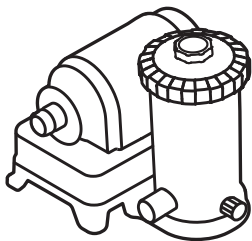
Metal Frame

②b



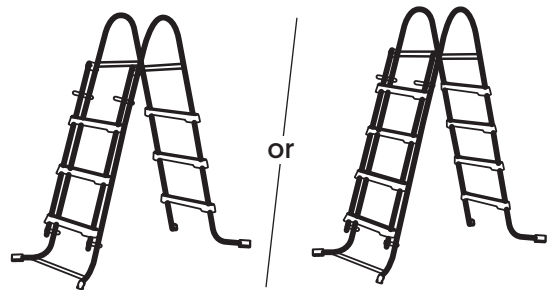
T-Fittings & Parts

③



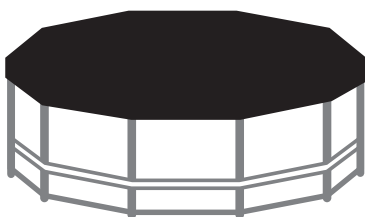
Cartridge Filter Pump
CP2000-C

④



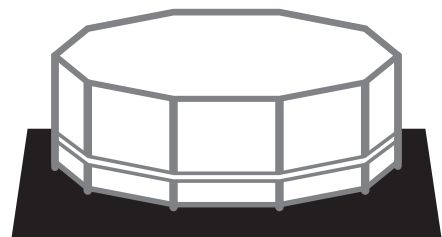
SureStep Ladder with Folding Steps

⑤



Pool Cover

⑥



Ground Cloth

STEP 1: Prepare the site

Before assembling your pool, check the contents and become familiar with all the parts. Review all the following warnings, guidelines and tips before proceeding with setup:

WARNINGS

- Do not overfill the pool and / or allow people to lay over or sit on pool wall - doing so can cause permanent injury!
- Drain pool to the proper level after a heavy rain. The Maximum Water Level should be about 6 inches below the top rim.
- Site must be level, stable, compacted soil.
- Do not install pool on a wooden deck or any type of wooden surface. You cannot use sand and/or uncompacted soil to provide a level surface for this pool; it will only wash out.

GUIDELINES

- The pool must be assembled on a smooth and level site of firm soil that is free of stones, gravel, sticks, blacktop, or other oil base compounds.
- Before setting up your pool, clear the area of hardy grasses. Certain types of vigorous grasses such as St. Augustine and Bermuda can grow through the liner. A ground cloth or tarp may be helpful in preventing this from occurring. Grass growing through the liner is not covered under warranty.
- Failure to follow all these instructions will cause pool to collapse and will void the warranty!

TIP: It will be much easier to install your pool if you unfold it and let it lay in direct sunlight for about 2 hours prior to installation. This will help to ensure a wrinkle-free fit because the pool material will be more pliable allowing it to form into shape during installation.

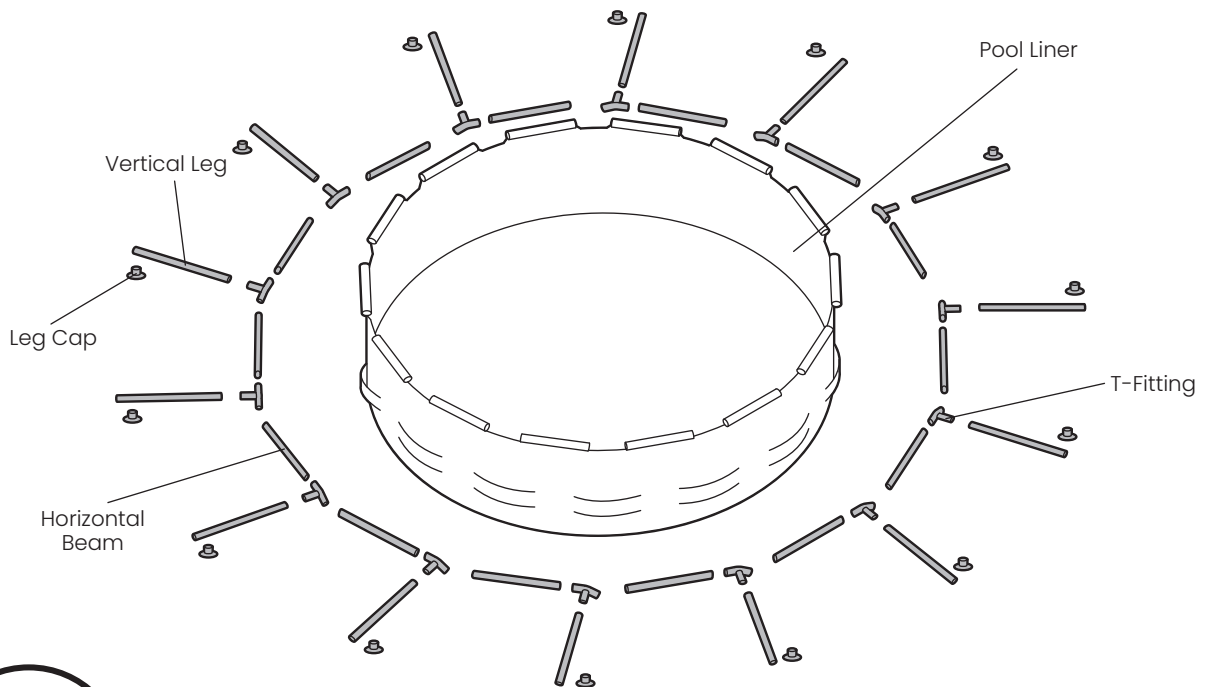
GETTING STARTED

- Contact your local utilities, checking that no underground cables, telephone lines, gas lines, etc. run beneath the area you have selected.

STEP 2: Assemble the pool frame and connect it to liner

1. Lay all parts (located in *Boxes 1, 2a & 2b*) on the ground around the pool liner as shown below:

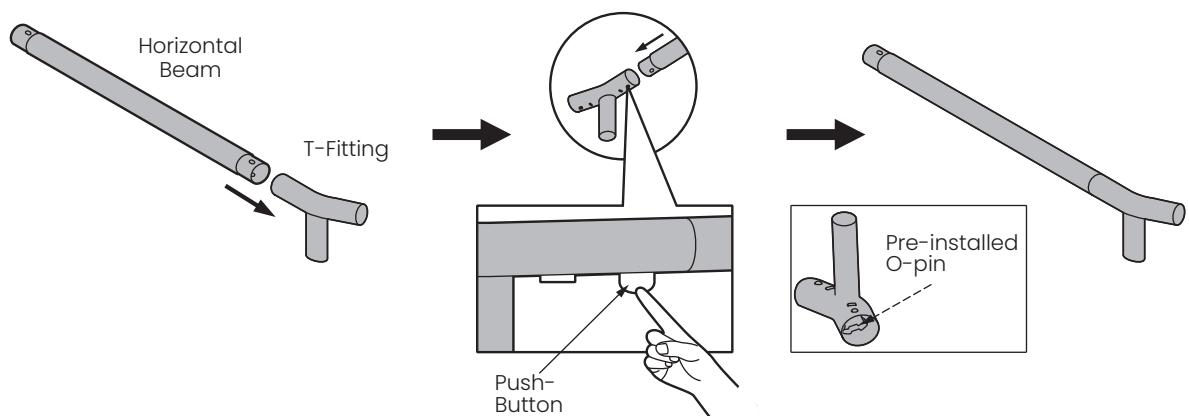
NOTE: Ensure the pool is between 10 to 21 feet away from any electrical outlets.



Caution: Avoid wearing shoes when stepping on the pool liner. Only use hands or bare feet to open up the liner.

2. Take one horizontal beam and insert it to one T-Fitting to form a set (see following figure).

Horizontal Beam with T-Fitting Set

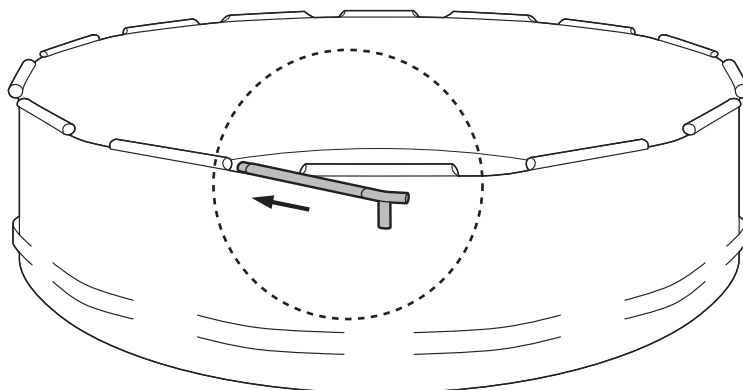


- a) To insert, press and hold the push-button below the T-Fitting; then connect it to one end of the horizontal beam.
- b) Push the horizontal beam and T-Fitting together and release the push-button. It should snap into place and lock the T-Fitting and horizontal beam together.

If they are securely attached, you could feel the end of the O-Pin from the base of the Horizontal Beam.

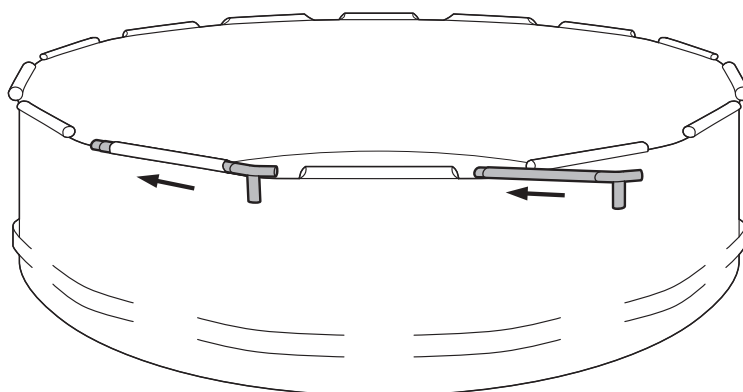
- Carefully slide the horizontal beam set into the sleeves of the pool liner.

NOTE: Make sure the vertical part of the T-Fitting faces down and away from the liner to avoid puncturing the liner.

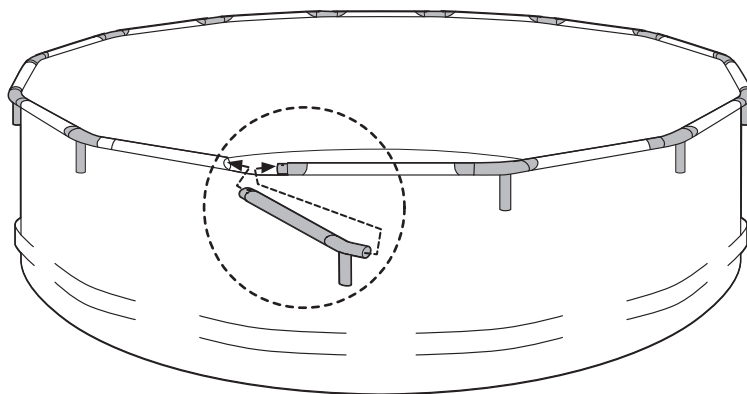


- Repeat Step 2 to connect the rest of the horizontal beams and the T-Fittings.

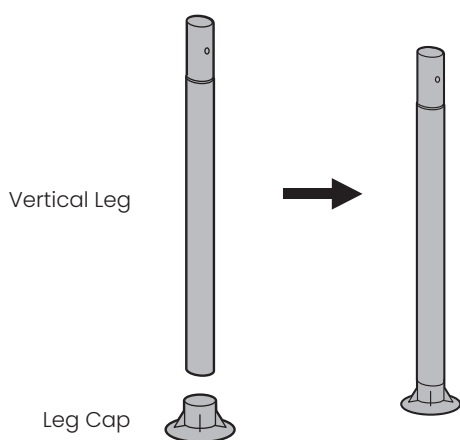
- Slide the next set of the horizontal beam with T-Fitting into the sleeve beside the first set (see following figure). Then, link the open end of the horizontal beam with the T-Fitting of the first set. Press the push-button while sliding the parts together. Release the push-button for the parts to snap into place and lock tight.



6. Slide the final set of the horizontal beam with T-Fitting into the sleeve. Lock firmly to complete the top frame.

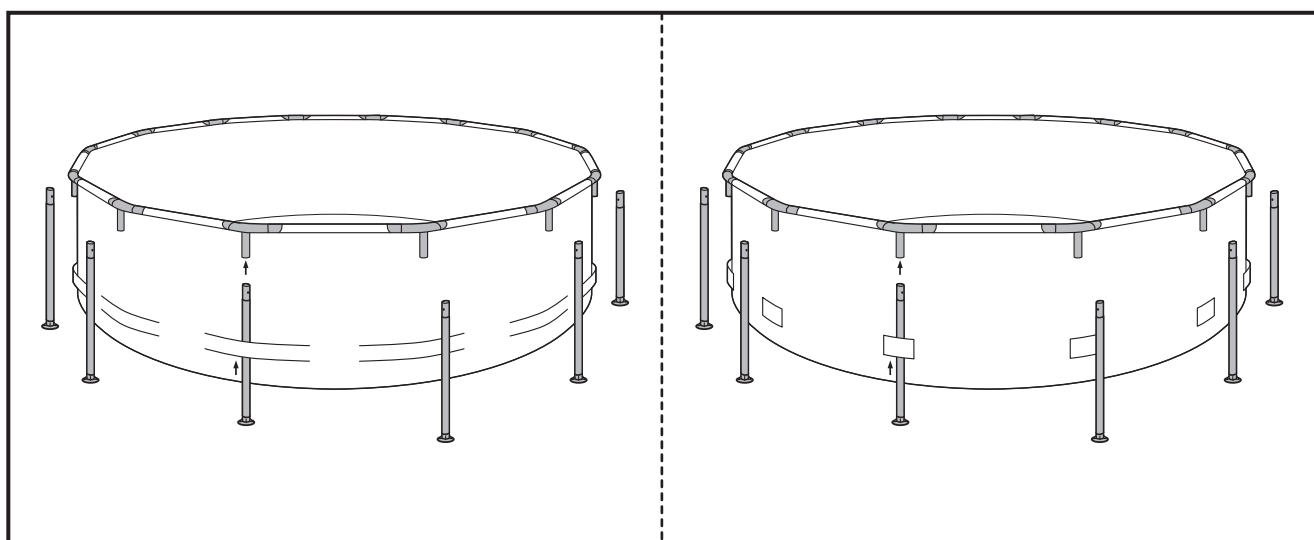


7. Insert the Vertical Legs into the Leg Caps.



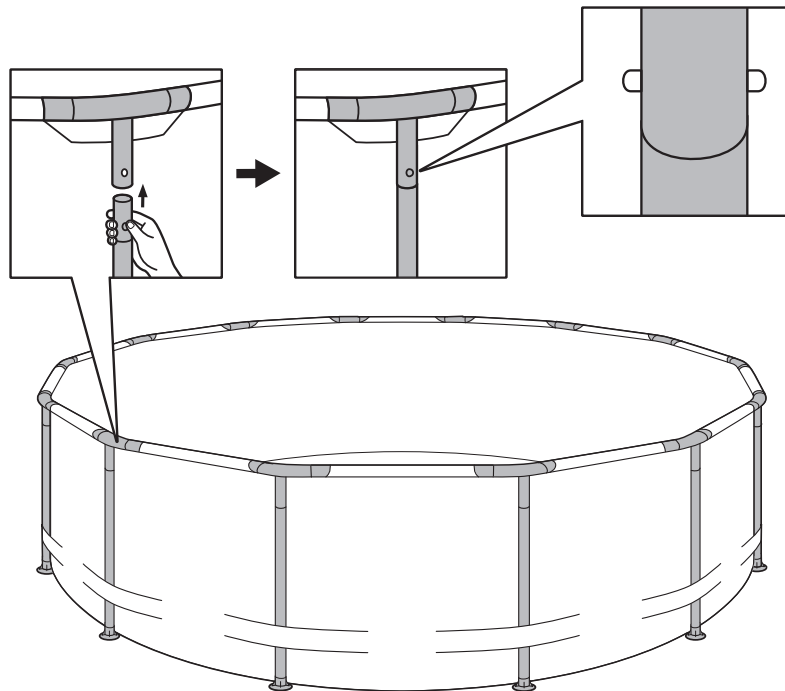
8. Carefully slide the Vertical Legs up through the liner's belt that runs around the middle of the pool, and then lock each one into the hold of the T-Fitting (see following figure on the left).

TIP: For smaller pools without a belt, slide the vertical legs up through the sleeves on the pool wall (see following figure on the right).



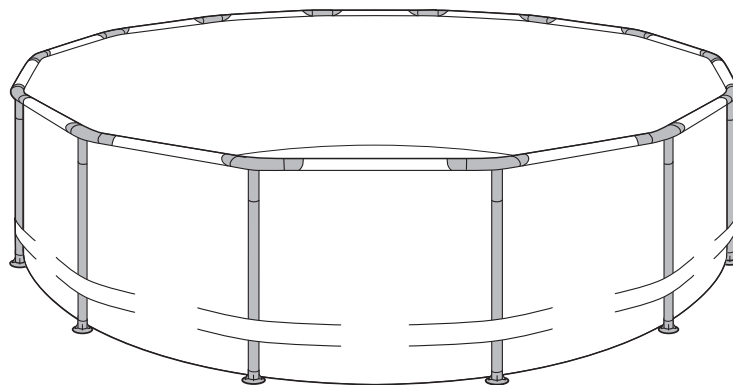
9. Look through the hole at the bottom of the T-Fitting, as you insert the Vertical Leg with Leg Cap, rotate it until the buttons align with the holes and pop out, locking the Vertical Leg in place (see following figure). Do this for all Vertical Legs.

NOTE: Each Vertical leg has a V-Shaped Spring Pin pre-installed. There is an extra pin included with your pool parts.



TIP: To avoid distortion during the assembly of the pool frame, connect one Vertical Leg to **Every third T-Fitting** so the frame can stand comfortably.

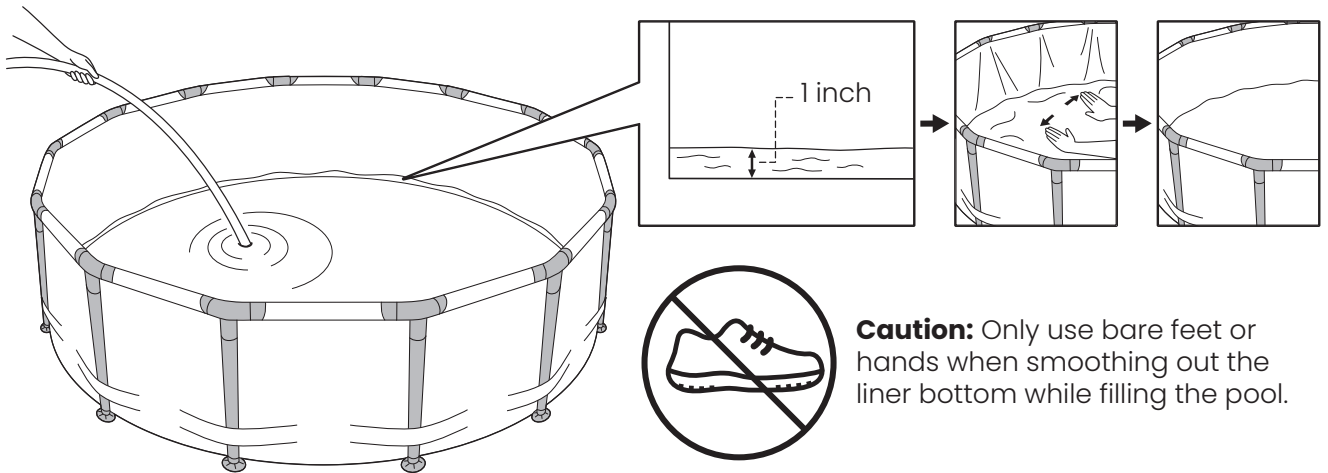
10. Continue working around the perimeter until the entire liner is securely connected to the frame. Go around and check all T-Fittings, Push-buttons of O-Pins, Legs and Beams are properly installed and secured in place (see following figure).



11. Make sure the poles are perpendicular to the ground (and not leaning!). This may require you to adjust the vertical legs accordingly to make the walls straighter.

STEP 3: Add 1 inch of water to pool

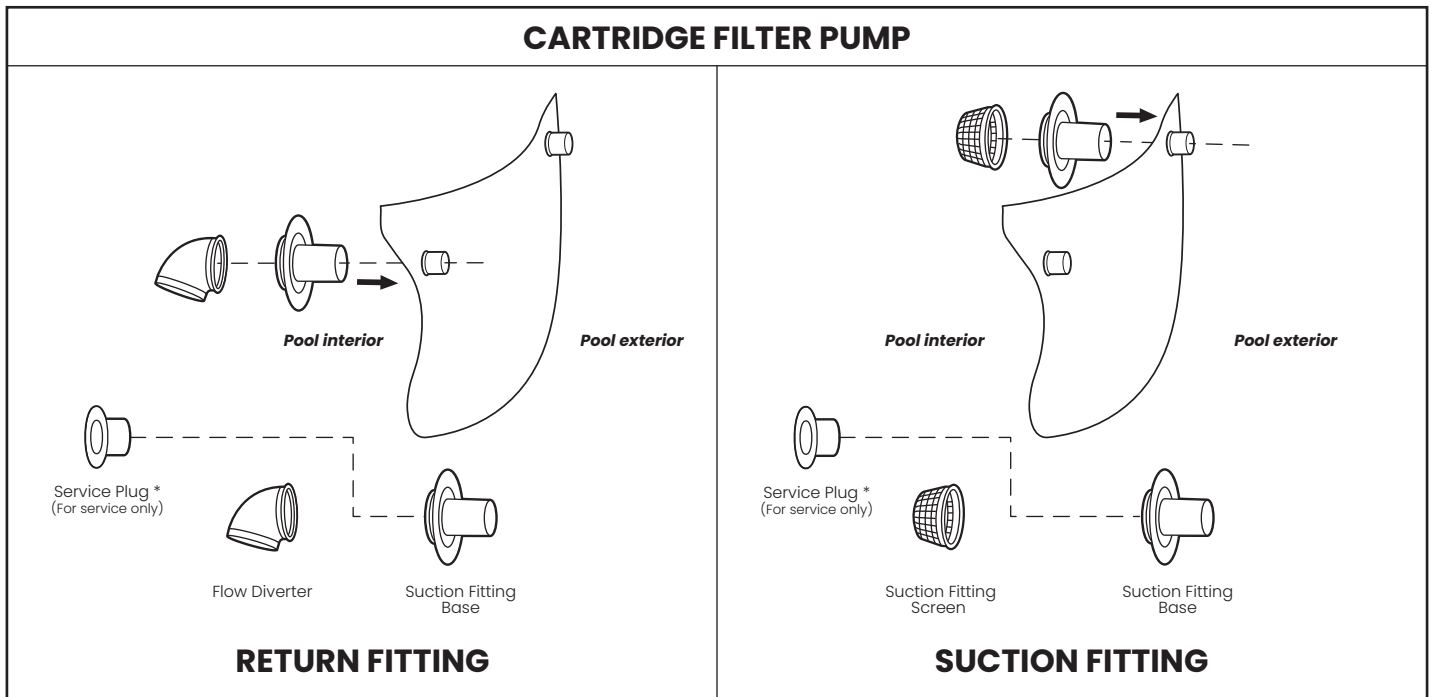
1. After ensuring that the drain fitting is plugged securely and the cap is in place, fill the pool with about an inch of water. Then stop filling, and smooth out all wrinkles in the liner.



2. Gently tug the Vertical Legs outwards so that all legs are vertical and perpendicular to the ground.
NOTE: If more than 1 to 2 inches of water collects on any one side before the pool starts filling in the center, the pool is not level enough, and must be corrected (See Section "Prepare the Site").

STEP 4: Install the fittings for filter pump and then install filtration system

If your pool came with fittings, install both the Suction and Return fittings to the pool wall before filling the pool.



NOTES:

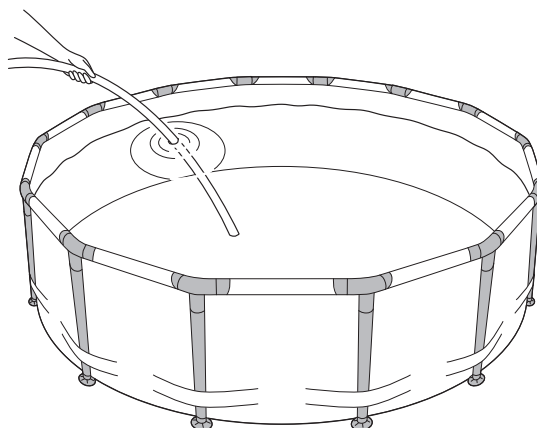
- For Sand Filter Pump / Cartridge Filter Pump CP2000-C, please follow the Sand Filter Pump / Cartridge Filter Pump CP2000-C User Guide to set up the fitting. Please check the filter pump's user guide for more instructions.
- The black rubber Gasket should always be slid over the threaded plastic suction or return fitting and be on the pool interior before the fitting is placed through the pool wall to make a watertight connection.

- Make sure to cover the suction and return fittings with the Water Cap and/or the Service Plug (if included) while you fill your pool, or until you are ready to add a filtration system.
- * DO NOT cover the suction and return fittings with any Water Cap or Service Plug when the filtration system is in operation. Only use the Water Cap and/or the Service Plug (if included) when replacing cartridge filter or servicing the filter pump.

Install the filtration system as per the enclosed "Funsicle Filter Pump User Guide".

Filling Your Pool

Continue adding water to your pool to approximately 6 inches below the top rim.



NOTES:

- Your pool should be straight and vertical to the ground. If your pool is leaning to one side, the ground may not be level, and you may need to restart the setup.
- Do not press the T-Fitting push button when filling the water in the pool or using the pool.
- Only press the T-Fitting push button when the pool is empty.

CAUTION: Always follow the chemical manufacturer's directions, and the health and hazard warnings.

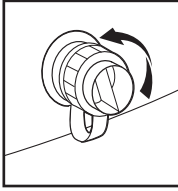
Do not add chemicals while the pool is occupied. This can cause skin or eye irritation. Concentrated chlorine solutions can damage the pool liner. In no event is Polygroup, our buyer/retailers, or any other party liable for costs associated with the loss of pool water, chemicals, or water damage. Keep spare filter cartridges on hand. Replace cartridges every two weeks. We recommend the use of Funsicle Filter Pumps with all of our above ground pools. To purchase a Funsicle Filter Pump or other accessories, visit our website at funsicle.com or call Funsicle Customer Service.

Excessive Rain: To avoid damage to the pool and overfilling, immediately drain rain water that causes the water level to be higher than the top rim.

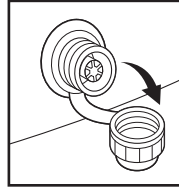
Failure to follow the instructions above will cause the pool to collapse and will void the warranty.

Draining & Dismantling Your Pool

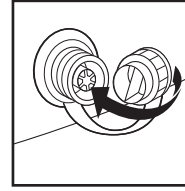
1. Check local regulations for specific directions regarding disposal of swimming pool water.
2. Remove the protective foam ring on the drainage cap.
3. Follow the steps below for water drainage:



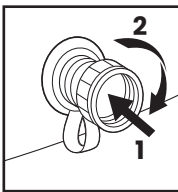
a) Turn the drain cap counterclockwise



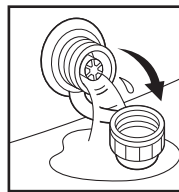
b) Return the drain cap from the valve



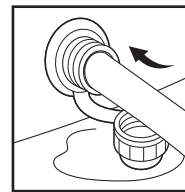
c) Flip the drain cap and reinsert it into the drain valve



d) Push and turn the drain cap clockwise for about a quarter turn (90°) to unlock

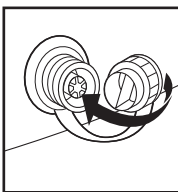


e) The drain valve is now open, and water will begin to flow out

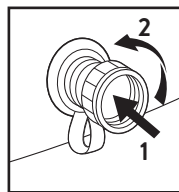


f) Attach a 5/8" garden hose to the drain valve

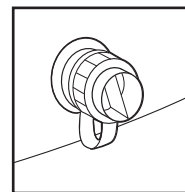
4. Place the other end of the garden hose in an area where the water can be safely drained away from the house and other nearby structures.
5. When the water stops draining, start lifting the pool from the side opposite to the drain valve to drain any remaining water and empty the pool completely.
6. After drainage, lock the drain valve and close the drain cap.



a) Flip the drain cap and reinsert it into the drain valve



b) Push and turn the drain cap counterclockwise for about a quarter turn (90°) to lock



c) Close the drain cap

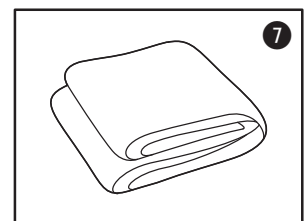
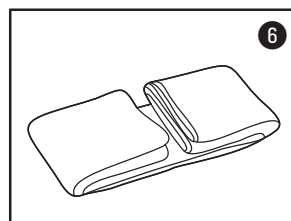
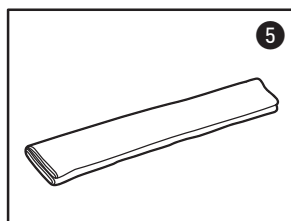
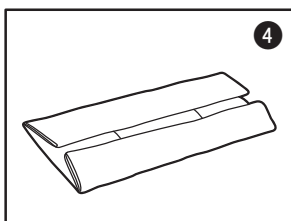
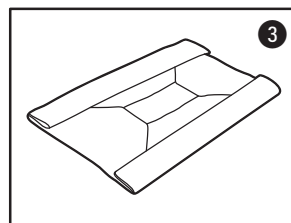
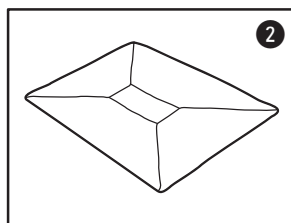
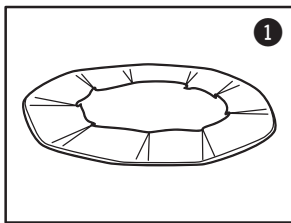
NOTE: NEVER step on the drain valve.

Maintaining Your Pool

Storage

1. Remove all connecting parts.
2. Be sure that the pool and all parts are completely dry before storage. Air dry the liner in the sun until it is completely dry before folding (see *drawing 1*). Sprinkle some talcum powder to prevent the vinyl from sticking together and to absorb any residual moisture.
3. Create a square shape. Starting at one side, fold one-sixth of liner into itself twice. Do the same on the opposite side (see *drawings 2 & 3*).
4. Once you have created two opposing folded sides, simply fold one over the other like closing a book (see *drawings 4 & 5*).
5. Fold the two long ends to the middle (see *drawing 6*).
6. Fold one over the other like closing a book, and finally compact the liner (see *drawing 7*).
7. Store the liner and accessories in a dry, temperature-controlled storage location above 32°F (0°C) and below 104°F (40°C).

TIP: The original packaging can be used for storage.



Repair

To repair a puncture on the pool liner, follow these steps:

1. Locate the puncture on the pool.
2. While standing in the pool, peel off and apply the patch over the puncture on the interior pool wall.
3. Press and rub the patch firmly with your fingers to release any trapped air bubbles.
4. Flatten the patch until it is completely smooth.

NOTE: Scan this QR code to watch the demonstration video.



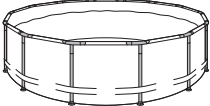





Winterizing

This above ground pool cannot be winterized and must be drained, disassembled, and properly stored if you live in an area where the temperature drops below 32°F (0°C). If you are in a warmer environment, follow the instructions below.

After usage, you can easily empty and store away your pool in a safe place (see long term storage above). Some pool owners, in warmer climates however, may choose to leave their pool up all year round. In cold areas, where freezing temperatures occur, there can be a risk of ice damage to your pool. Leaving your above ground pool set up in areas where the temperature drops below 32 degrees Fahrenheit (0 Celsius) voids the warranty.

1. Clean the pool water thoroughly.
2. Remove the skimmer (if applicable) or any accessories attached to the threaded strainer connector. Replace strainer grid if necessary. Be sure all accessories parts are clean and completely dry before storage.
3. Unplug the Inlet and Outlet fitting from the inside of the pool (if applicable).
4. Remove the ladder (if applicable) and store in a safe place. Be sure the ladder is completely dry before storage.
5. Remove the hoses that connect the pump and filter to the pool.
6. Add the appropriate chemicals for the winter period. Consult your local pool dealer as to which chemicals you should use and how to use them. This can vary greatly by region.
7. Cover pool with Pool Cover.
IMPORTANT: Pool Cover is not a Safety Cover.
8. Clean and drain the pump, filter housing, and hoses. Remove and discard the old filter cartridge. Keep a spare cartridge for the next season.
9. Bring pump and filter parts indoors and store in a safe and dry area, preferably between 0°C (32°F) and 40°C (104°F).

Parts List

					
	Pool Liner	Horizontal Beam	Vertical Leg	T-Fitting	Leg Cap
Pool Size	Qty.	Qty.	Qty.	Qty.	Qty.
8' x 26" (244 x 66 cm)	1	8	8	8	8
8' x 30" (244 x 76 cm)	1	8	8	8	8
10' x 30" (305 x 76 cm)	1	10	10	10	10
10' x 36" (305 x 91 cm)	1	10	10	10	10
12' x 30" (366 x 76 cm)	1	12	12	12	12
12' x 33" (366 x 84 cm)	1	12	12	12	12
12' x 36" (366 x 91 cm)	1	12	12	12	12
13' x 30" (396 x 76 cm)	1	13	13	13	13
13' x 33" (396 x 84 cm)	1	13	13	13	13
14' x 33" (427 x 84 cm)	1	14	14	14	14
14' x 36" (427 x 91 cm)	1	14	14	14	14
15' x 33" (457 x 84 cm)	1	15	15	15	15
15' x 36" (457 x 91 cm)	1	15	15	15	15

Dear Funtastic Customer,

Thank YOU for choosing one of our Funsicle products. We're on a mission to inspire the world to play more outdoors, which is why we design products that capture the summertime spirit of imagination, connection and fun.

It's important to us that you have the BEST experience with this product, and we're excited for you to make some happy outdoor memories.

Once again, we thank you for placing your trust in us. Happy swimming and playing!

- Your friends, the Funsicle Team

CONTACT US

We are here to help! For FAQ, troubleshooting tips, warranty or replacement parts, contact us using the number or email available for your region.

CUSTOMER SERVICE

United Kingdom

Phone: +44 (0) 330 090 4414

Email: support@poly-group.co.uk

France

Website: www.polypool.fr

Email: aide@polypool.fr

Spain

Website: www.polypool.es

Email: apoyo@polypool.es

Italy

Phone: +39 (0) 332 730 083

Email: info@globalfar.com

Germany

Phone: +49 (0) 621 845 5210

Email: service@rms-gruppe.de

Netherlands

Phone: +31 (0) 88 002 06 55

Email: service@poly-group.nl

Bulgaria

Email: service.polygroupbg@gmail.com

Greece

Phone: +30 210 6831030

Email: info@homeandcamp.gr

Hungary

Email: sales@globalbrandscee.com

Romania

Phone: +40 726 473955

Email: polygroupservice.ro@gmail.com

Russia

Phone: +381 (0) 637 137 822

Email: polygroupsrbija@gmail.com

Denmark

Email: polygroup@maxtoys.dk

Funsicle®

Polygroup Pacific Limited
Unit 606, 6th Floor, Fairmont House,
8 Cotton Tree Drive, Central, Hong Kong.